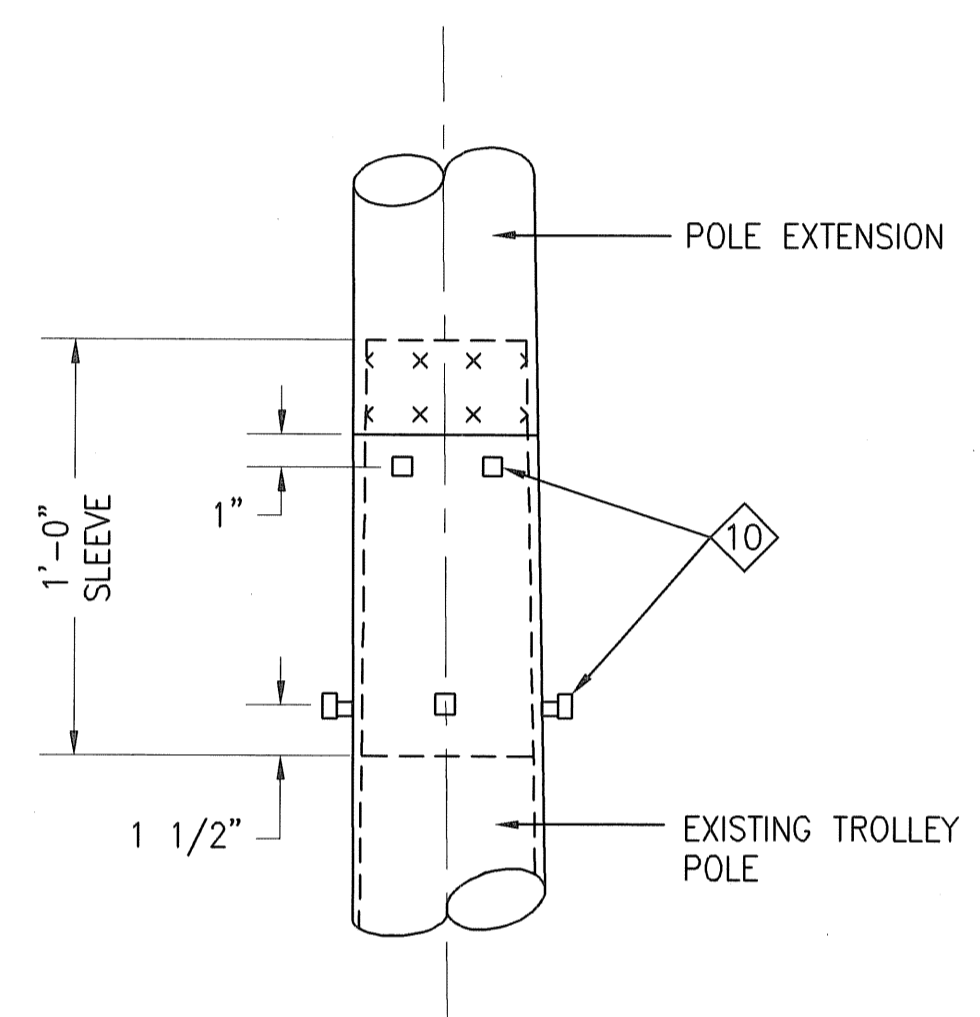


ELEVATION



DETAIL 1

CONNECTION OF POLE EXTENSION TO EXISTING TROLLEY POLE

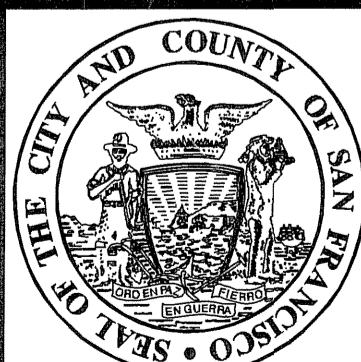
SHEET NOTES:

1. ALL WELDS SHALL BE GROUND SMOOTH.
2. AXIS OF POLE EXTENSION SHALL COINCIDE WITH AXIS OF TROLLEY POLE.
3. IN LIEU OF MOUNTING EXTENSIONS TO SHAFTS WITH MACHINE BOLTS, EXTENSIONS, COMPLETE WITH SLEEVES FURNISHED THEREWITH, MAY BE WELDED TO SHAFTS WITH 1/4" WIDE CONTINUOUS PLUG WELDS ALL AROUND.
4. POLE EXTENSION, LUMINAIRE ARM, AND POLE CAP SHALL BE STEEL, HOT-DIP GALVANIZED AFTER FABRICATION.
5. POLE EXTENSION WITH WELDED SLEEVE. EXTENSION AND SLEEVE SHALL HAVE SAME GAUGE STEEL AS EXISTING POLE. LENGTH OF EXTENSION AS REQUIRED.
6. TWO-BOLT SIMPLEX BRACKET ARM CONNECTION. PROVIDE WITH HI-TEN BOLTS AND NEOPRENE GASKET.
7. DRILL 1"Ø WIRE ENTRY HOLE ON EXTENSION. GRIND HOLE TO A SMOOTH FINISH AFTER DRILLING.
8. 1 1/2" GALVANIZED "C" CONDUIT FITTING (FOR POLES AT INTERSECTION ONLY). COVER OF CONDUIT FITTING SHALL BE FURNISHED WITH STAINLESS STEEL SCREWS AND NEOPRENE GASKET CEMENTED TO COVERS WITH AN APPROVED TYPE OF AUTOMOTIVE ENGINE GASKET CEMENT.
9. IF EXTENSION IS WELDED TO SHAFT IN LIEU OF BOLTING TO SHAFT, THEN TENON NEED ONLY BE 6" LONG (3" INSTALLED IN EXTENSION AND 3" INSTALLED IN SHAFT). THE TENON SHALL BE PLUG WELDED WITH 4 SYMMETRICALLY SPACED WELDS TO TENON.
10. DRILL AND TAP SLEEVE AND POLE FOR 1/2"x13 STAINLESS STEEL M.S. 8 SCREWS WITH STAINLESS STEEL SHAKE-PROOF WASHERS WITH INTERNAL TEETH REQUIRED.

This Standard Plan was developed for use on public works projects in the City and County of San Francisco, and shall not be used without consulting a Registered Professional Engineer. The Department of Public Works reserves the right to make revisions to this Standard Plan at any time.

NO.	DATE	DESCRIPTION	BY	APP.
TABLE OF REVISIONS				
CHECK WITH TRACING TO SEE IF YOU HAVE LATEST REVISION				

REFERENCE INFORMATION & FILE NO. OF SURVEYS



BUREAU OF ENGINEERING
DEPARTMENT OF PUBLIC WORKS
CITY AND COUNTY OF SAN FRANCISCO

REVIEWED:	DATE:	PLANS APPROVAL DATE:	APRIL 30, 2007
BC	01/2007	<i>Damarat Duche</i>	4/27/07
DRAWN:	DATE:		
RT	01/2007	<i>Mike</i>	4/30/07
CHECKED:	DATE:		
TA	01/2007	<i>James Chia</i>	

STANDARD PLAN	
ELECTRICAL	
STREET LIGHT ON EXISTING TROLLEY POLE, POLE EXT. & CONDUIT INSTALLATION DETAILS	

OLD FILE NO.	A-27,682.1
FILE NO.	87,213
REV. NO.	

Drawing Path: V:\0966J Standard Plans & Specs Update\2_Plans\FINAL\ELE-13.dwg, Login: carantos
 Plot Time: Fri, 27 Apr 2007 5:39pm
 Dimension Scale: 40
 Model Units: Feet
 Xrefs: V:\0966J Standard Plans & Specs Update\2_Plans\FINAL\Title\Block.dwg
 V:\0966J Standard Plans & Specs Update\2_Plans\FINAL\ELE\Disclaimer-ele.dwg