

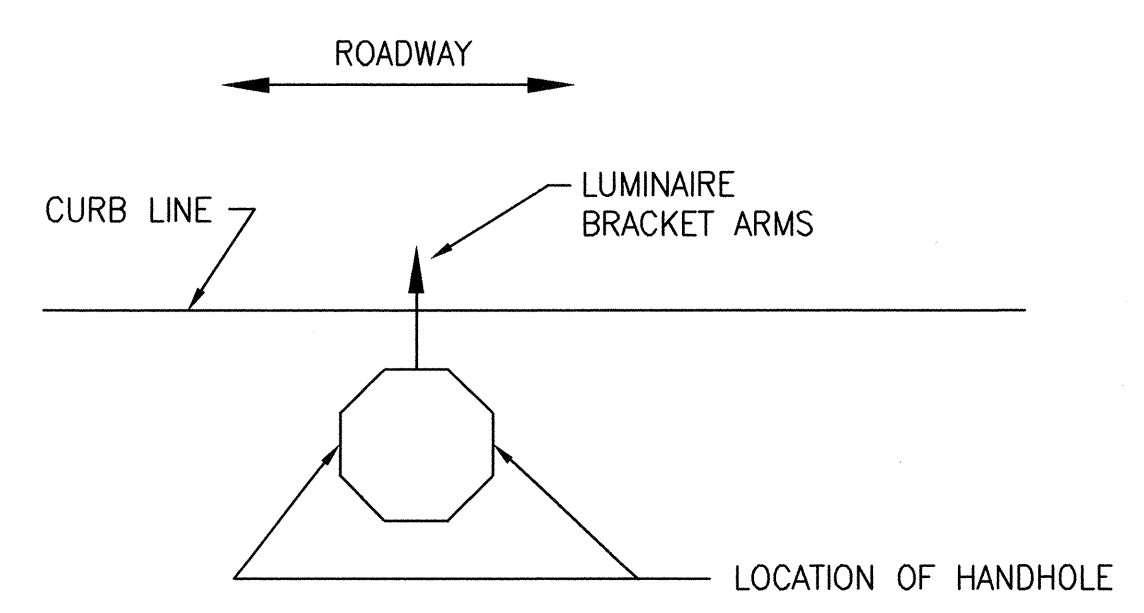
INSTALL DUPLICATE BRACKET ARM WHERE "TWIN-MEMBER" STREET LIGHTS ARE SPECIFIED. ARMS SHALL BE INSTALLED IN A "BACK-TO-BACK" ARRANGEMENT 180° TO EACH OTHER

TYPE D #11 GAUGE TAPERED ELLIPTICAL STREET ARM (PLAN A-33,705 CH.1)

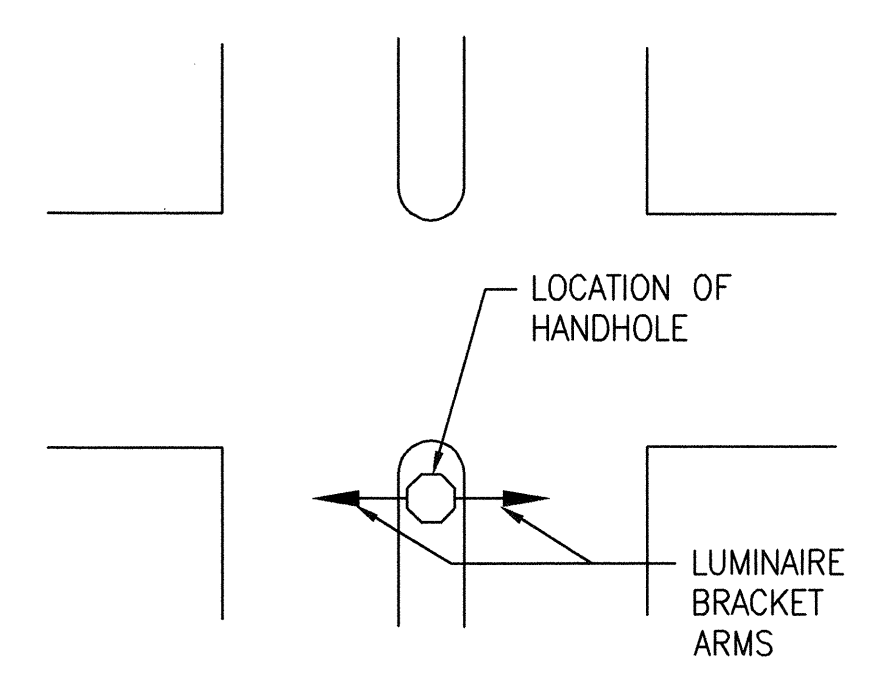
THREADED INSERT WHEN REQUIRED. SEE DETAIL 1

23" DIA. B.C. OR AS SPECIFIED
1" DIAMETER HOLE

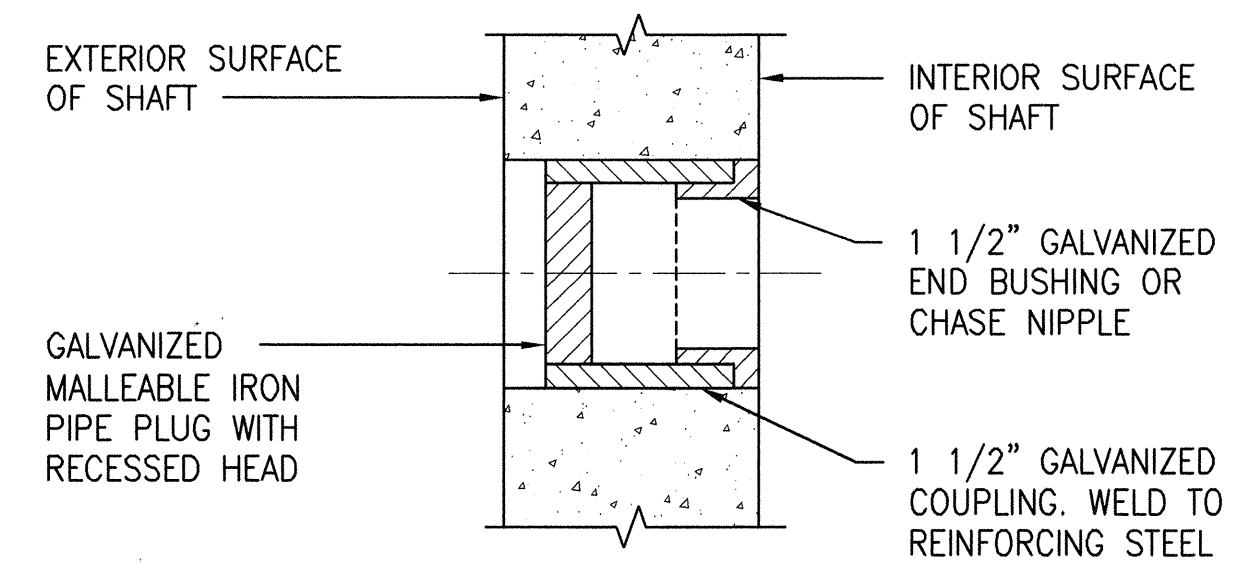
ELEVATION



TYPICAL LOCATION OF HANDHOLE ON SINGLE-MEMBER STREET LIGHT STANDARDS



TYPICAL LOCATION OF HANDHOLE ON TWIN-MEMBER STREET LIGHT STANDARDS

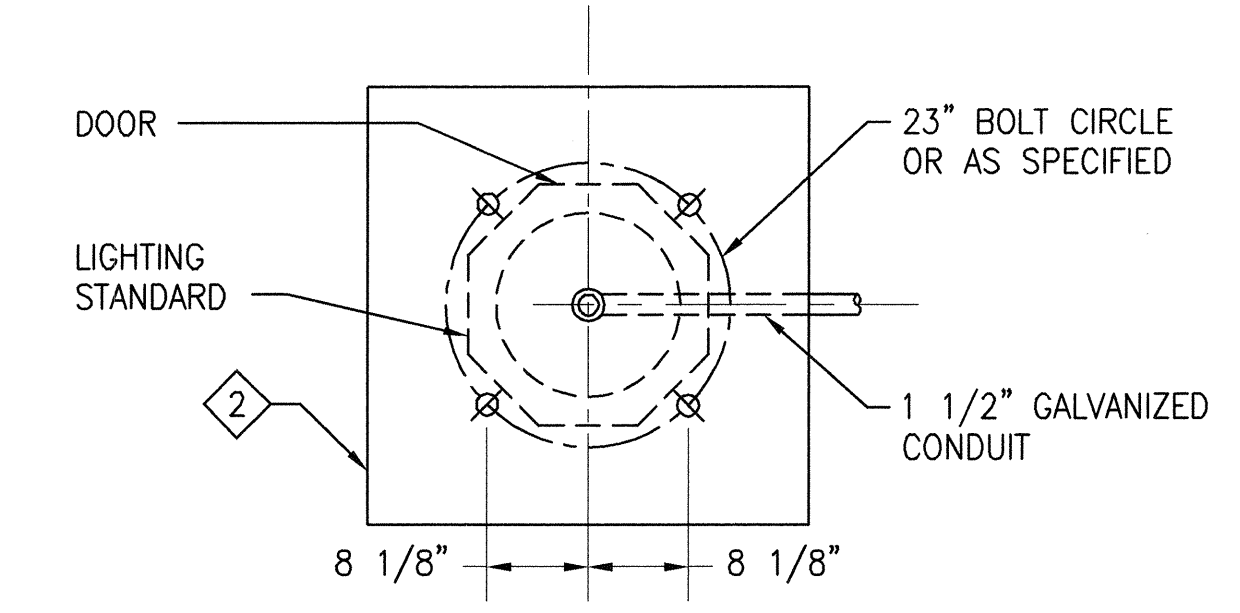


DETAIL 1

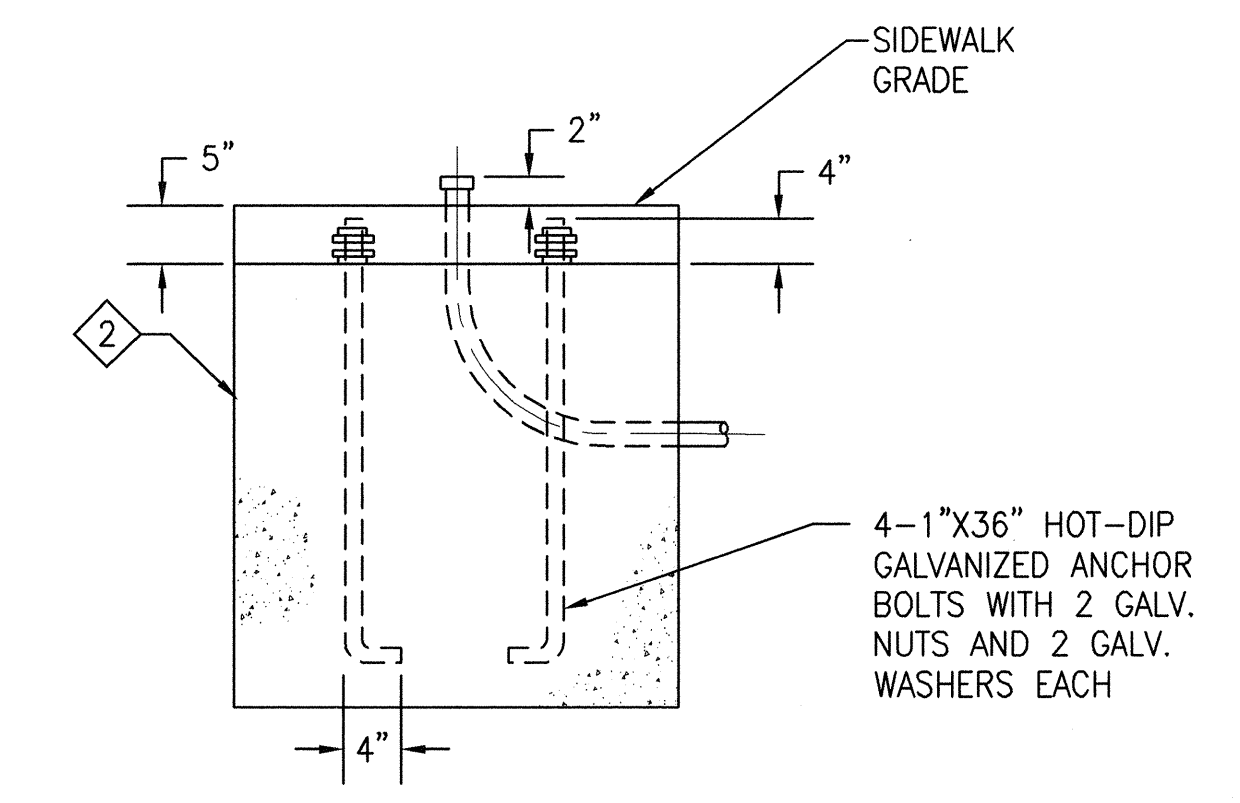
THREADED INSERT
(LOCATION OF INSERT AS NOTED ON PLANS)

DETAIL NOTES:

- 1 8 1/2" X 9 1/2" GALVANIZED OR SHEET ALUMINUM DOOR TO FIT OPENING ACCURATELY, FLUSH WITH EXTERIOR SURFACE. DIMENSIONS SHOWN INDICATE NET DOOR OPENING. FASTEN DOOR WITH BRONZE INSERTS AND 1/4" STAINLESS STEEL SCREWS.
- 2 SEE DRAWING NO. E-12 FOR FOUNDATION DETAIL.



PLAN



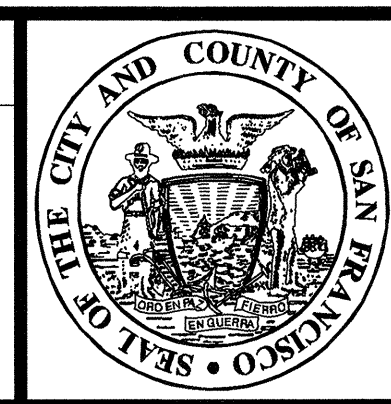
ELEVATION

FOUNDATION DETAIL

This Standard Plan was developed for use on public works projects in the City and County of San Francisco, and shall not be used without consulting a Registered Professional Engineer. The Department of Public Works reserves the right to make revisions to this Standard Plan at any time.

NO.	DATE	DESCRIPTION	BY	APP.
TABLE OF REVISIONS CHECK WITH TRACING TO SEE IF YOU HAVE LATEST REVISION				

REFERENCE INFORMATION & FILE NO. OF SURVEYS



BUREAU OF ENGINEERING
DEPARTMENT OF PUBLIC WORKS
CITY AND COUNTY OF SAN FRANCISCO

REVIEWED:	DATE:	PLANS APPROVAL DATE:	APRIL 30, 2007
BC	01/2007	<i>Damarat Jweh</i>	4/27/07
DRAWN:	DATE:		
RT	01/2007	<i>M...</i>	4/30/07
CHECKED:	DATE:		
TA	01/2007	<i>Jan Chie</i>	

STANDARD PLAN		OLD FILE NO.	
ELECTRICAL			A-36,794
TYPE D STREET LIGHT WITH OCTAGONAL CONCRETE STANDARD INSTALLATION DETAILS		FILE NO.	87,211
		REV. NO.	

Drawing Path: V:\0966J Standard Plans & Specs Update\2_Plans\FINAL\ELE-E-11.dwg, Login: carantos
 Plot Time: Fri, 27 Apr 2007, 5:41pm
 Measurement Units are: English
 Model Units: Feet
 Dimension Scale: 1