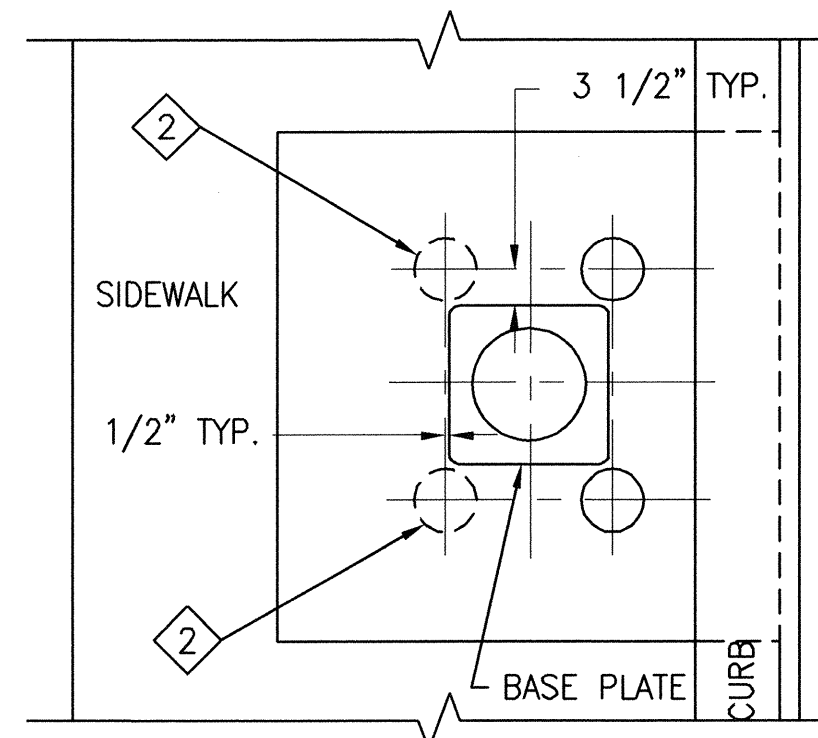
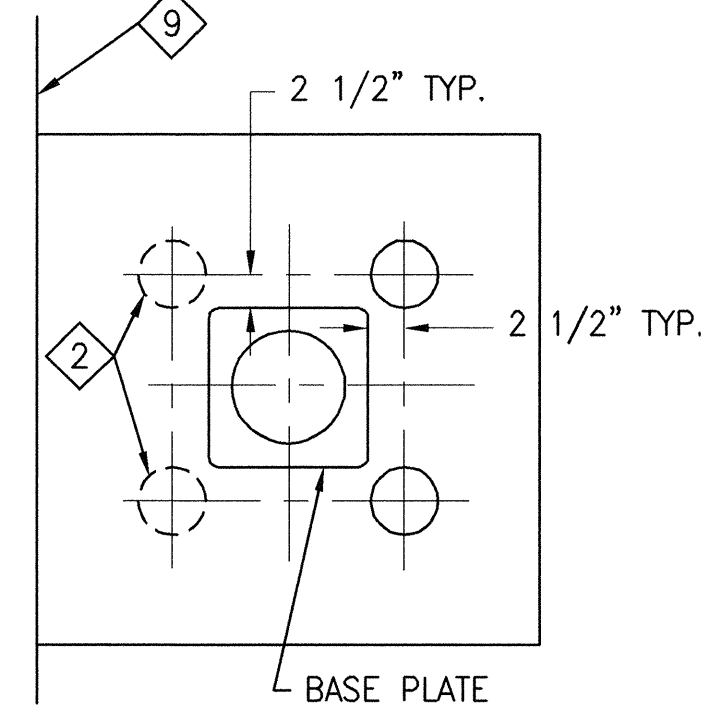


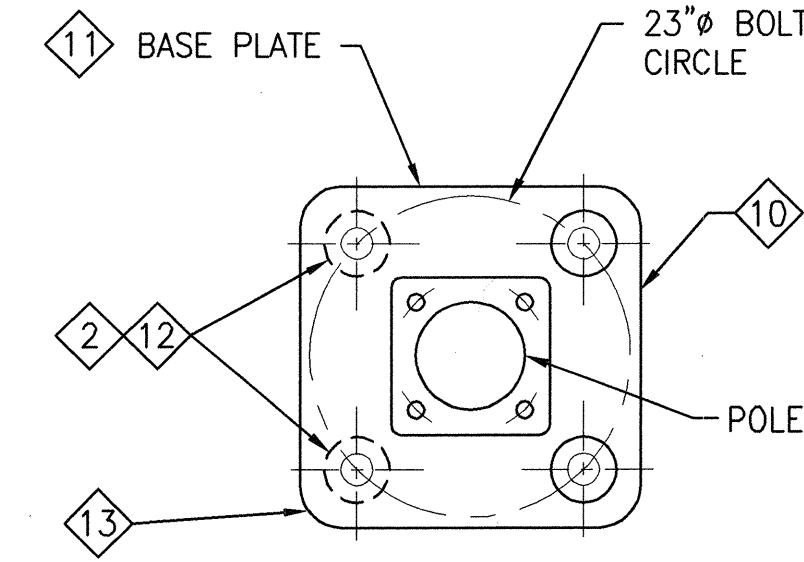
PLAN



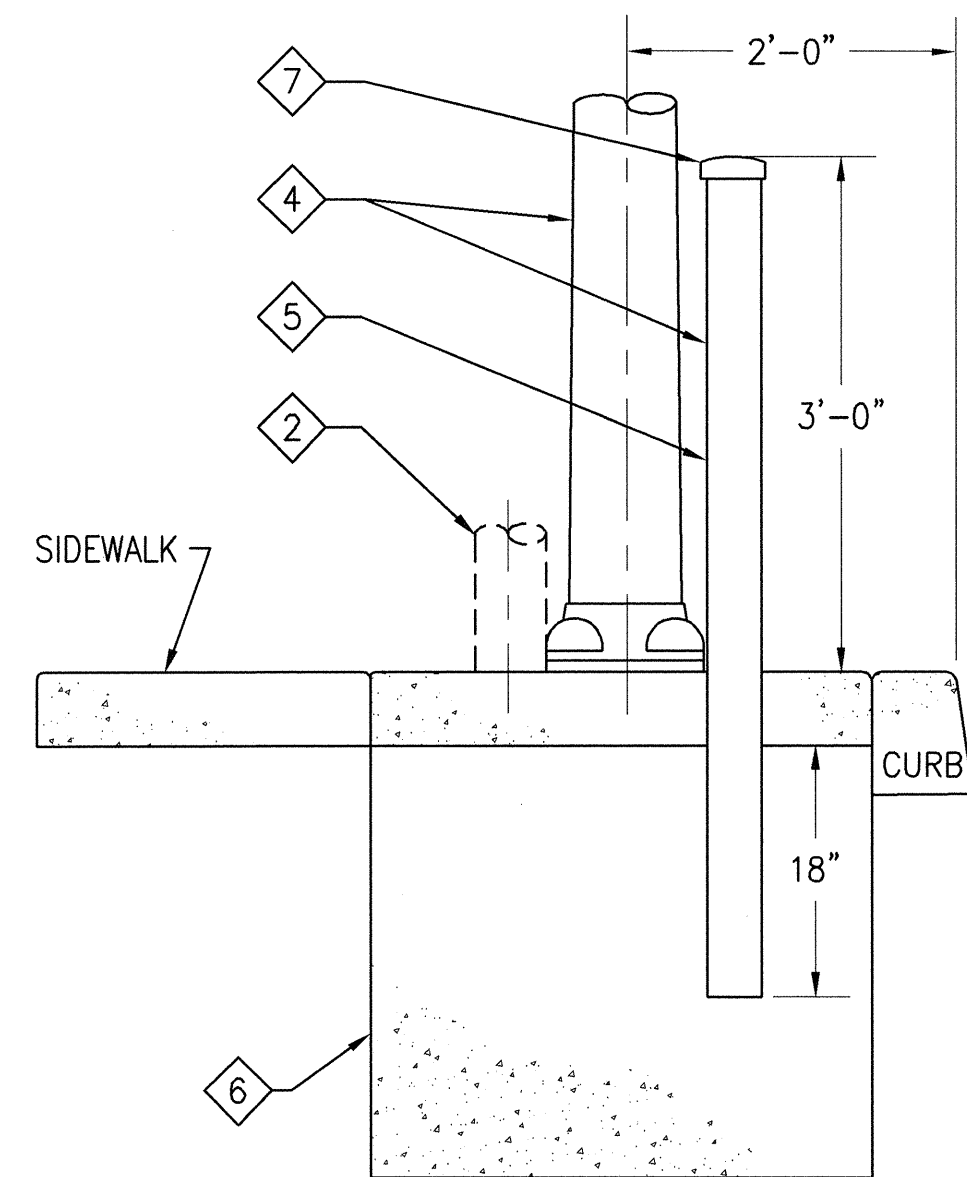
PLAN



PLAN



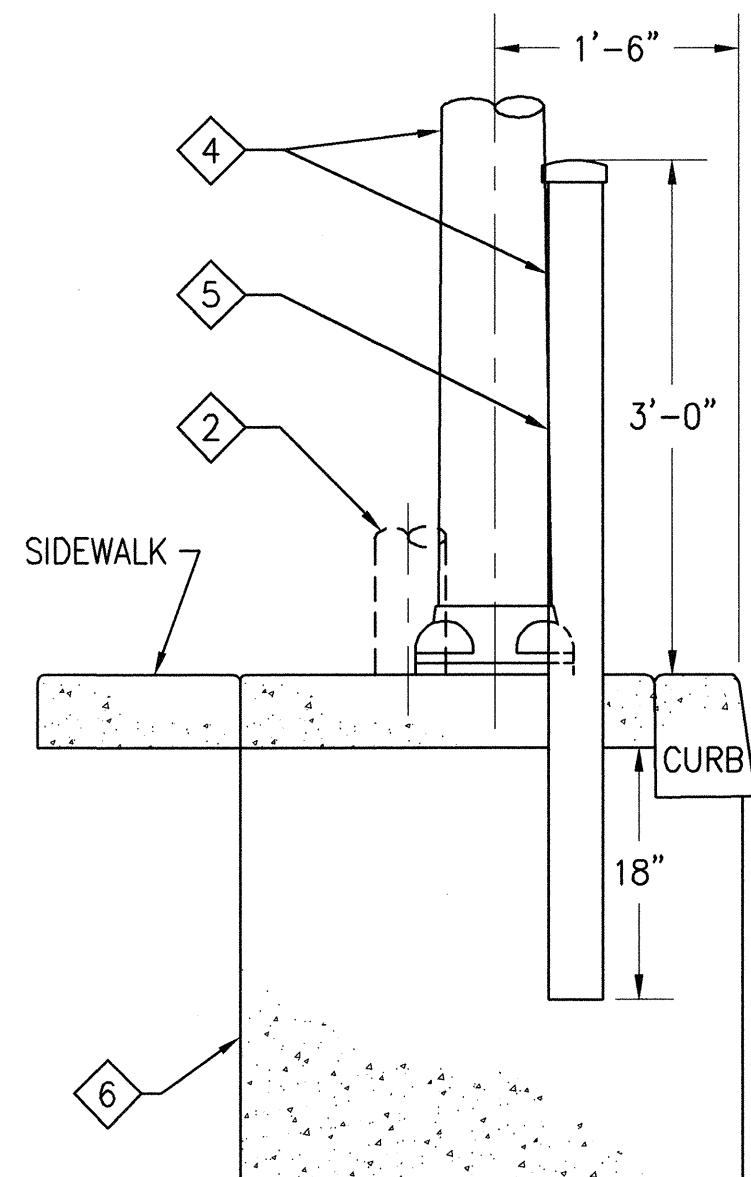
PLAN



ELEVATION

DETAIL 1

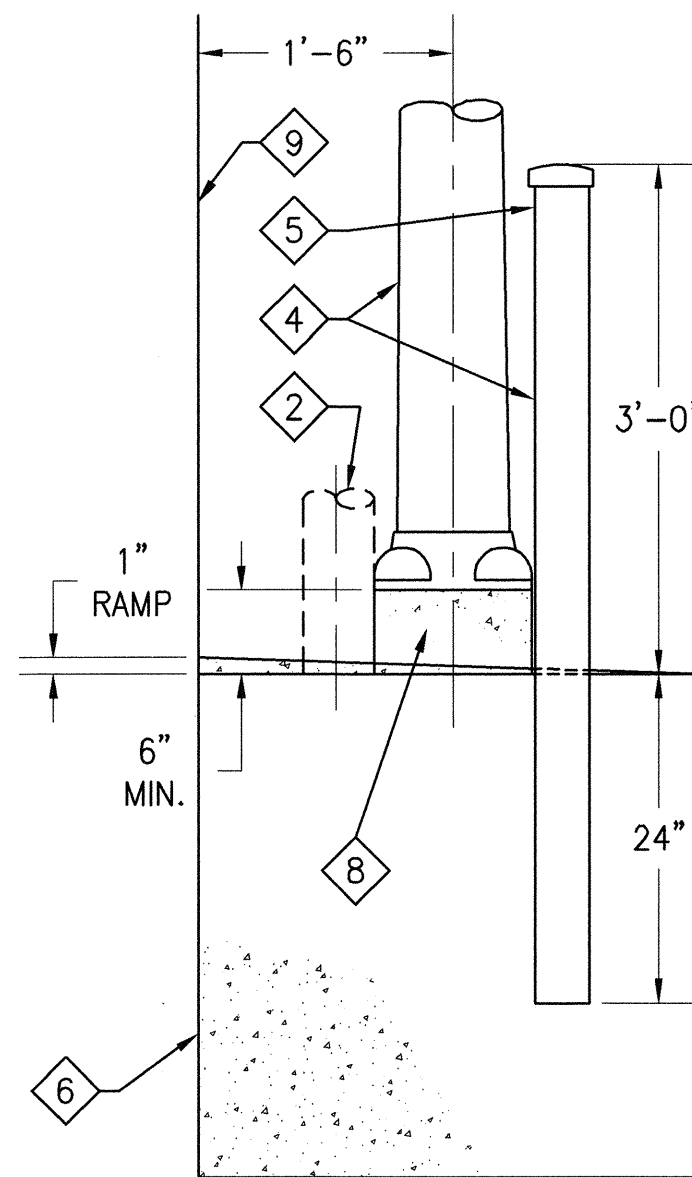
FOUNDATION AND GUARD POSTS FOR POLES LOCATED IN SIDEWALK (6' WIDE AND OVER)



ELEVATION

DETAIL 2

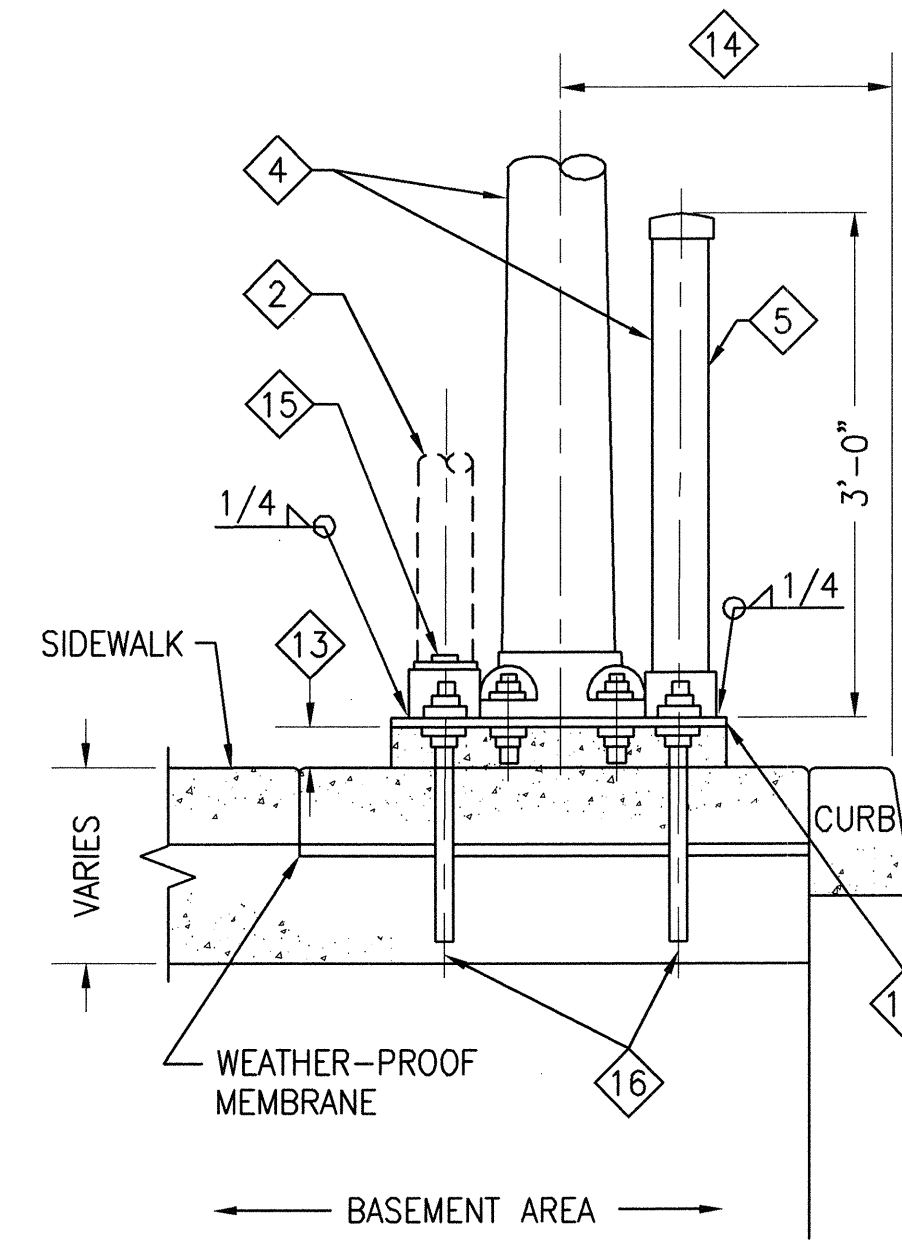
FOUNDATION AND GUARD POSTS FOR POLES LOCATED IN SIDEWALK (LESS THAN 6' WIDE)



ELEVATION

DETAIL 3

FOUNDATION AND GUARD POSTS FOR POLES LOCATED IN STREETS AREAS HAVING NO SIDEWALK



ELEVATION

DETAIL 4

FOUNDATION AND GUARD POSTS FOR POLES LOCATED IN SIDEWALK OVER BASEMENT AREAS

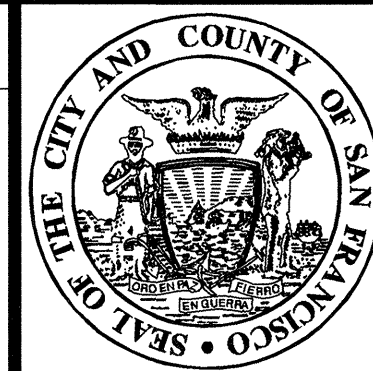
SHEET NOTES:

- GUARD POSTS ARE REQUIRED WHERE NOTED ON PLANS ONLY.
- DENOTES ADDITIONAL 4" PIPE POSTS REQUIRED AS SHOWN ON PLANS.
- THE USE OF IMPACT OR PERCUSSION TYPE OF TOOLS TO INSTALL ANCHORS IN BASEMENT WALLS OR IN SIDEWALKS OVER BASEMENTS IS PROHIBITED.
- POLE AND GUARD POSTS AS SPECIFIED AND IN ARRANGEMENT AS SHOWN.
- 4" GALVANIZED PIPE POST FILLED WITH CONCRETE.
- CONCRETE FOUNDATION AS SPECIFIED.
- GALVANIZED MALLEABLE IRON THREADED PIPE CAP FOR 4" PIPE POST. TOP OF PIPE POST SHALL BE THREADED. TYPICAL FOR DETAILS 1 2 3 4
- CONCRETE FILLER FINISHED FLUSH WITH ANCHOR BASE OF STANDARD ALL AROUND.
- WALL FACE OF EXISTING BUILDING OR PROPERTY LINE.
- 1" THICK MOUNTING PLATE. DRILL 4 HOLES FOR 1"Ø RODS FOR GUARD POSTS. DRILL 4 HOLES FOR 1"Ø STUDS AND 8"Ø CONDUIT ENTRY HOLE FOR STREET LIGHT STANDARD.
- BEFORE SECURING POLE TO STEEL PLATE, APPLY A LAYER OF DUCT SEAL BETWEEN ANCHOR BASE OF POLE AND MOUNTING PLATE. TRIM EXCESS DUCT SEAL.
- CAP COUPLING WITH SQUARE HEAD PLUG.
- 4 1/2" RADIUS ALL FOUR CORNERS OF MOUNTING PLATE.
- 2'-0" FOR SIDEWALKS 6' OR MORE IN WIDTH. 1'-6" FOR SIDEWALKS 6' OR LESS IN WIDTH.
- GALVANIZED SQUARE HEAD PLUG CAPPED OVER 4" GALVANIZED PIPE COUPLING.
- CENTERLINE OF ANCHOR RODS OF BASEMENT TYPE FOUNDATION AS SPECIFIED. SPACING MODIFIED AS REQUIRED.
- 1" THICK X 24" SQUARE COLD ROLLED SHEET STEEL MOUNTING PLATE. AFTER INSTALLING 4" COUPLINGS AND CLEARANCE HOLES WHERE DRILLED, PLATE SHALL BE HOT-DIP GALVANIZED.

This Standard Plan was developed for use on public works projects in the City and County of San Francisco, and shall not be used without consulting a Registered Professional Engineer. The Department of Public Works reserves the right to make revisions to this Standard Plan at any time.

NO.	DATE	DESCRIPTION	BY	APP.
TABLE OF REVISIONS				
CHECK WITH TRACING TO SEE IF YOU HAVE LATEST REVISION				

REFERENCE INFORMATION & FILE NO. OF SURVEYS



BUREAU OF ENGINEERING
DEPARTMENT OF PUBLIC WORKS
CITY AND COUNTY OF SAN FRANCISCO

REVIEWED:	DATE:	PLANS APPROVAL DATE:	APRIL 30, 2007
BC	01/2007	<i>Demerat J. J. J.</i>	4/27/07
DRAWN:	DATE:	SECTION MANAGER	
RT	01/2007	<i>M.L.</i>	4/30/07
CHECKED:	DATE:	DEPUTY BUREAU MANAGER	
TA	01/2007	<i>J. J.</i>	
		BUREAU MANAGER	

STANDARD PLAN

ELECTRICAL

FOUNDATIONS AND GUARD POSTS FOR TYPICAL POLES INSTALLATION

OLD FILE NO.	A-33,308
FILE NO.	87,210
REV. NO.	

Drawing Path: V:\0966J Standard Plans & Specs Update\2_Plan\ELE-E-10.dwg, Login: carantos
 Plot Time: Fri, 27 Apr 2007 - 5:49pm
 Model Units: Feet
 Dimension Scale: 40
 Xrefs: V:\0966J Standard Plans & Specs Update\2_Plan\Title\Block\BDC STD Title Block.dwg
 V:\0966J Standard Plans & Specs Update\2_Plan\FINAL\ELE\Disclaimer-ee.dwg