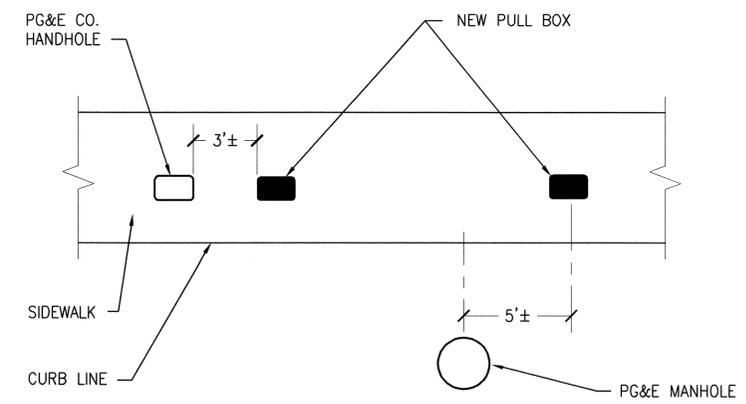
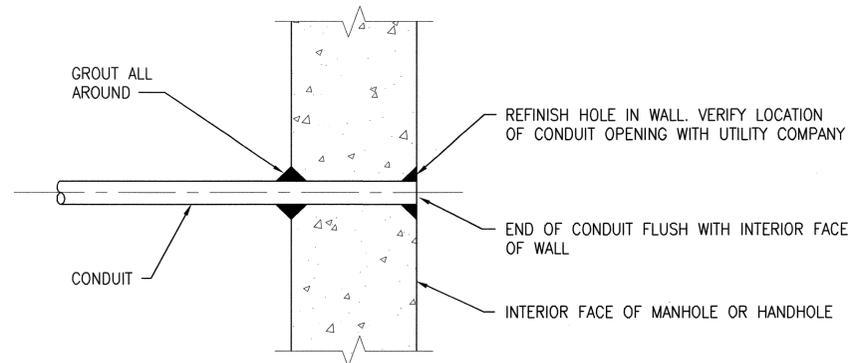


SHEET NOTES:

1. CONDUITS TO UTILITY COMPANY MANHOLES AND HANDHOLES SHALL BE 1 1/2" TRADE SIZE, UNLESS OTHERWISE NOTED.
2. THE LOCATIONS OF CONDUITS IN OR ON PACIFIC GAS AND ELECTRIC COMPANY OWNED FACILITY WILL BE DETERMINED BY A REPRESENTATIVE OF THE COMPANY. ALL WORK IN OR ON THE COMPANY OWNED FACILITY SHALL BE DONE ONLY IN THE PRESENCE OF A REPRESENTATIVE OF THE COMPANY UNLESS OTHERWISE DIRECTED BY SAID REPRESENTATIVE.
3. THE CONTRACTOR SHALL FURNISH AND INSTALL A GROUND ROD FOR EACH SERVICE INSTALLATION. GROUND ROD SHALL BE COPPERCLAD STEEL, 5/8" x 10 FT. LONG.
4. SERVICE WIRING SHALL BE OF SUFFICIENT LENGTH TO REACH THE LOCATION OF SERVICE CONNECTIONS WITHIN OR ON THE UTILITY OWNED FACILITY AS DIRECTED BY A REPRESENTATIVE OF THE UTILITY COMPANY.
5. THE 2" PVC CONDUIT FURNISHED AND INSTALLED FOR WOOD POLE SERVICE SHALL BE CONSIDERED AS INCIDENTAL WORK.



**TYPICAL LOCATIONS OF PULL BOXES
NEAR SERVICE FACILITIES**

**INSTALLATION OF SERVICE CONDUITS IN OR ON
UTILITY OWNED WOOD POLES, MANHOLES & HANDHOLES**

This Standard Plan was developed for use on public works projects in the City and County of San Francisco, and shall not be used without consulting a Registered Professional Engineer. The Department of Public Works reserves the right to make revisions to this Standard Plan at any time.

NO.	DATE	DESCRIPTION	BY	APP.
TABLE OF REVISIONS				
CHECK WITH TRACING TO SEE IF YOU HAVE LATEST REVISION				

REFERENCE INFORMATION & FILE NO. OF SURVEYS



BUREAU OF ENGINEERING
DEPARTMENT OF PUBLIC WORKS
CITY AND COUNTY OF SAN FRANCISCO

REVIEWED:	DATE:	PLANS APPROVAL DATE:	APRIL 30, 2007
BC	01/2007	<i>Demetris Swick</i>	4/27/07
		SECTION MANAGER	
DRAWN:	DATE:	<i>Mh</i>	4/30/07
RT	01/2007	DEPUTY BUREAU MANAGER	
CHECKED:	DATE:	<i>James Chiu</i>	
TA	01/2007	BUREAU MANAGER	

STANDARD PLAN	OLD FILE NO.
ELECTRICAL	49,091
SERVICE CONDUITS IN OR ON UTILITY OWNED WOOD POLES, MANHOLES AND HANDHOLES	FILE NO. 87,206
	REV. NO.

Drawing Path: V:\0966\Standard Plans & Specs Update\2_Plan\Title_Block\BOE STD Title Block.dwg
 Plot Time: Fri, 27 Apr 2007 - 5:44pm
 Model Units: Feet
 Dimension Scale: 40
 V:\0966\Standard Plans & Specs Update\2_Plan\FINAL\ELE\discamer-ele.dwg