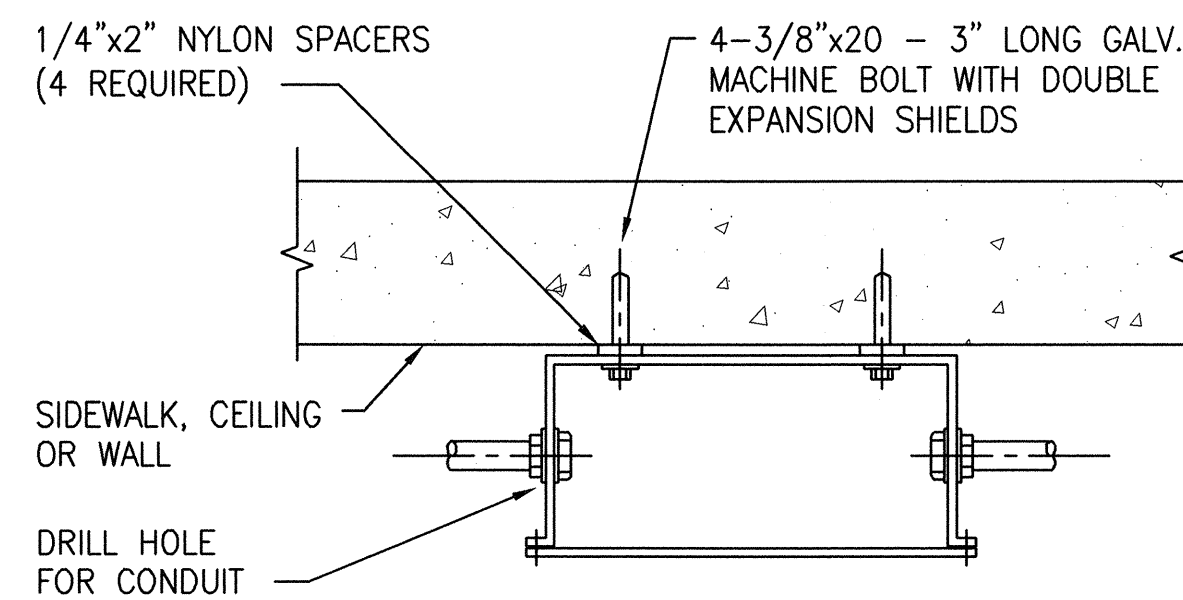
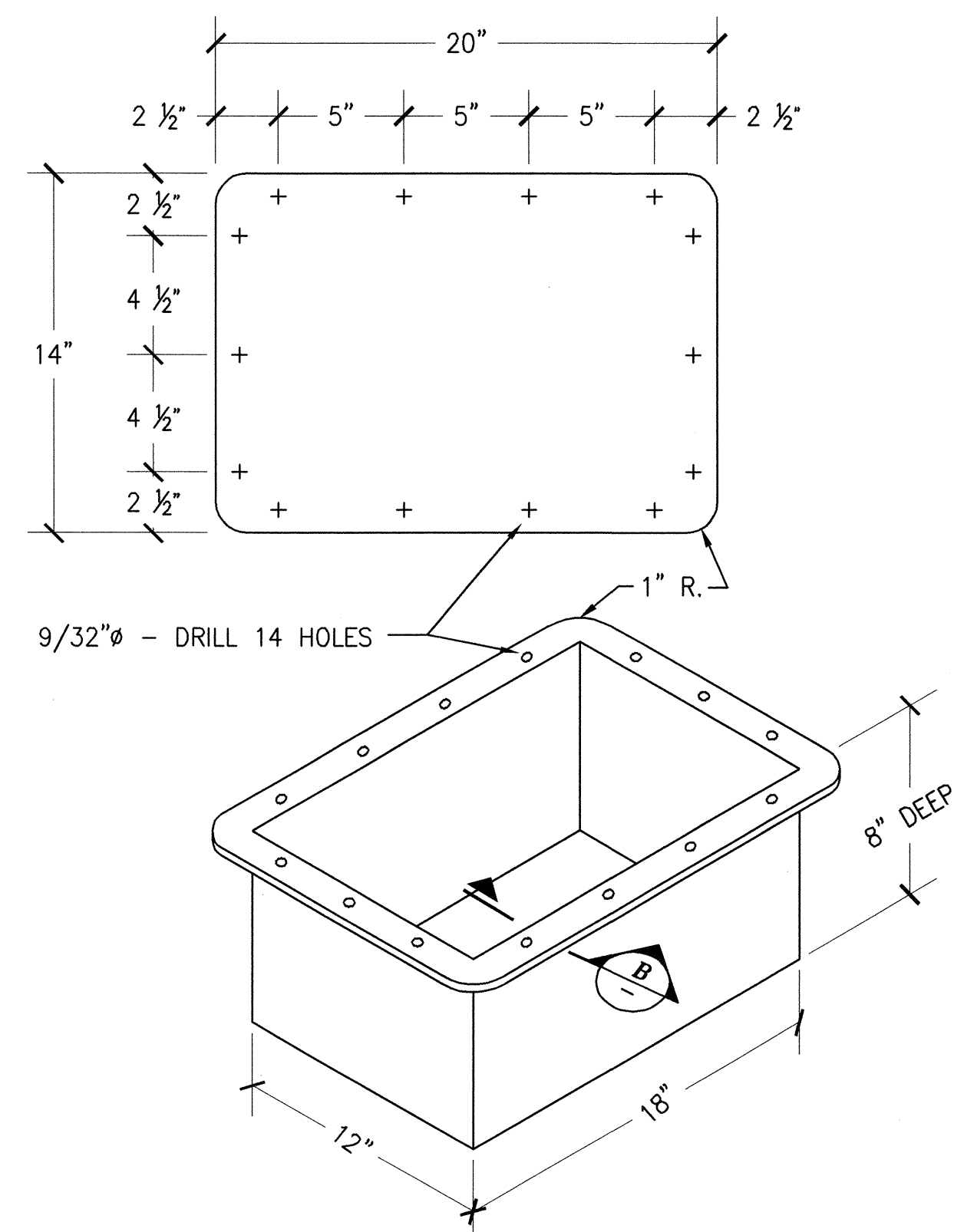


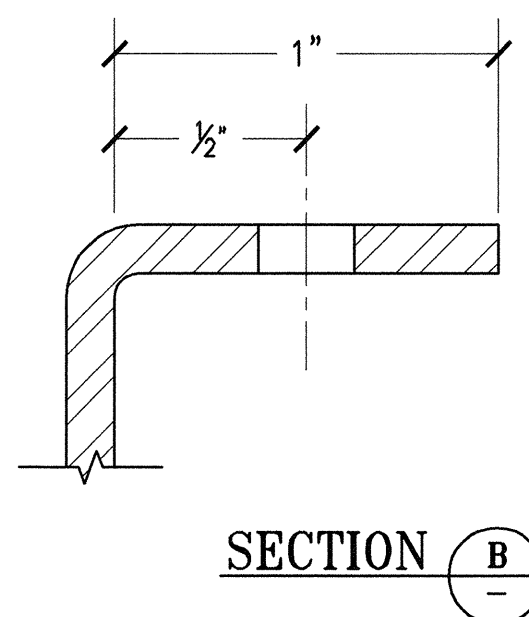
PRECAST PULL BOX NOTES:

- PULL BOXES WHICH ENCLOSE WATERPROOF SUBMERSIBLE TRANSFORMERS SHALL BE FURNISHED WITH 12-INCH HIGH EXTENSIONS. A 6-INCH WIDE RETAINING WALL EXTENDING THE FULL HEIGHT OF THE BOX AND EXTENSION SHALL BE CONSTRUCTED AROUND SUCH PULL BOXES.
- PROVIDE BONDING JUMPER (3' LONG, MINIMUM) FOR STEEL COVERS TO BE BONDED TO CONDUIT.
- PULL BOXES SHALL BE TYPE III WITH EXTENSIONS FOR 1 TO 3 TRANSFORMERS..
- PULL BOXES SHALL BE TYPE IV WITH EXTENSIONS FOR MORE THAN 3 TRANSFORMERS.

TYPICAL INSTALLATION OF WATERPROOF SUBMERSIBLE TRANSFORMER IN PRECAST PULL BOX



TYPICAL BASEMENT PULL BOX INSTALLATION DETAIL



BASEMENT PULL BOX AND COVER

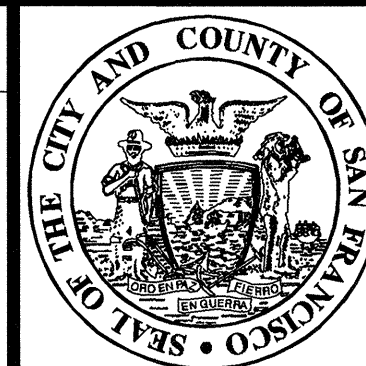
BASEMENT PULL BOX NOTES:

- BASEMENT PULL BOX SHALL BE OF 11 GAUGE SHEET STEEL WITH WELDED JOINTS.
- THE COVER SHALL BE OF 10 GAUGE SHEET STEEL AND SHALL BE FASTENED TO THE BOX WITH 14 ROUND HEAD MACHINE SCREWS AND NUTS.
- THE PULL BOX AND COVER SHALL BE HOT-DIP GALVANIZED AFTER FABRICATION.
- A NEOPRENE GASKET SHALL BE PROVIDED BETWEEN COVER AND PULL BOX.
- ALL SCREWS, BOLTS, NUTS AND WASHERS SHALL BE TYPE 316 STAINLESS STEEL.

This Standard Plan was developed for use on public works projects in the City and County of San Francisco, and shall not be used without consulting a Registered Professional Engineer. The Department of Public Works reserves the right to make revisions to this Standard Plan at any time.

NO.	DATE	DESCRIPTION	BY	APP.
TABLE OF REVISIONS				
CHECK WITH TRACING TO SEE IF YOU HAVE LATEST REVISION				

REFERENCE INFORMATION & FILE NO. OF SURVEYS



BUREAU OF ENGINEERING
 DEPARTMENT OF PUBLIC WORKS
 CITY AND COUNTY OF SAN FRANCISCO

REVIEWED: DATE: 01/2007
 BC
 DRAWN: DATE: 01/2007
 RT
 CHECKED: DATE: 01/2007
 TA

PLANS APPROVAL DATE: APRIL 30, 2007
Jawad Joshi 4/27/07
 SECTION MANAGER
M. H. 4/30/07
 DEPUTY BUREAU MANAGER
Jan Chio
 BUREAU MANAGER

STANDARD PLAN
ELECTRICAL
PULL BOX DETAILS

OLD FILE NO. 49,093
 FILE NO. 87,202
 REV. NO.