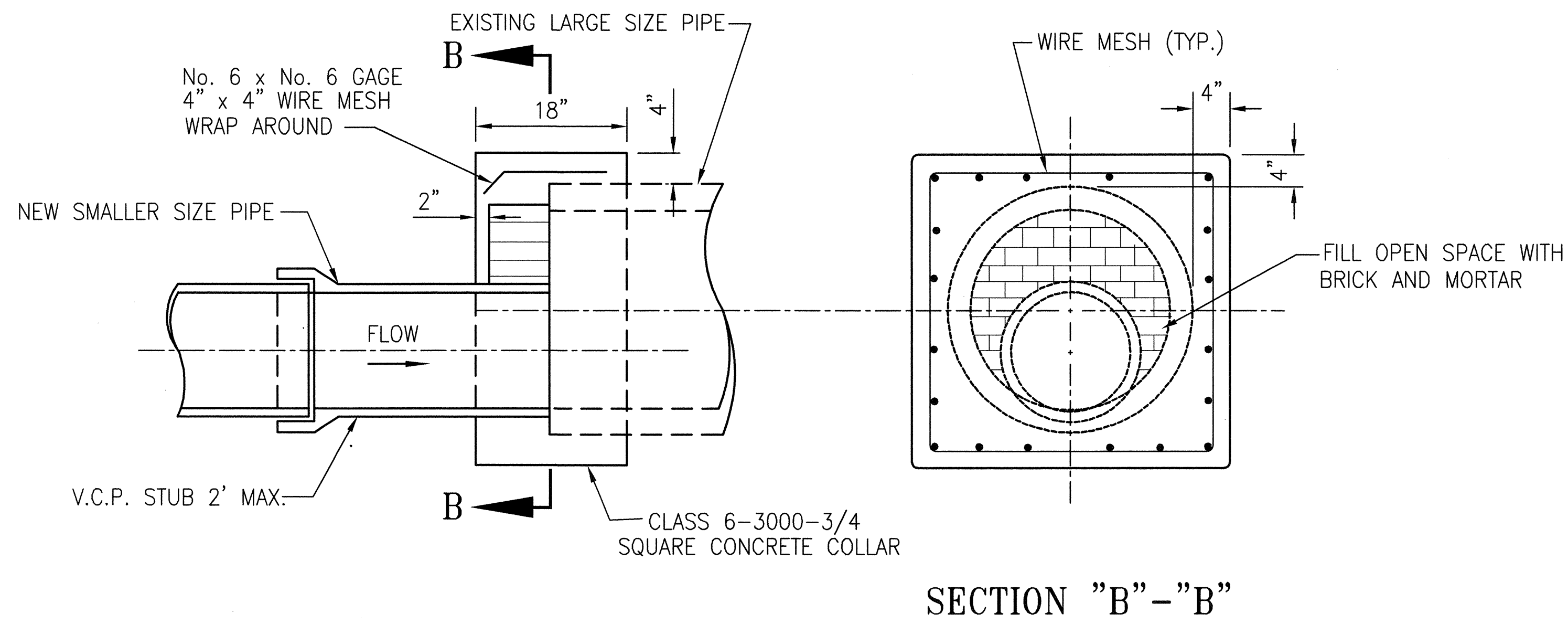
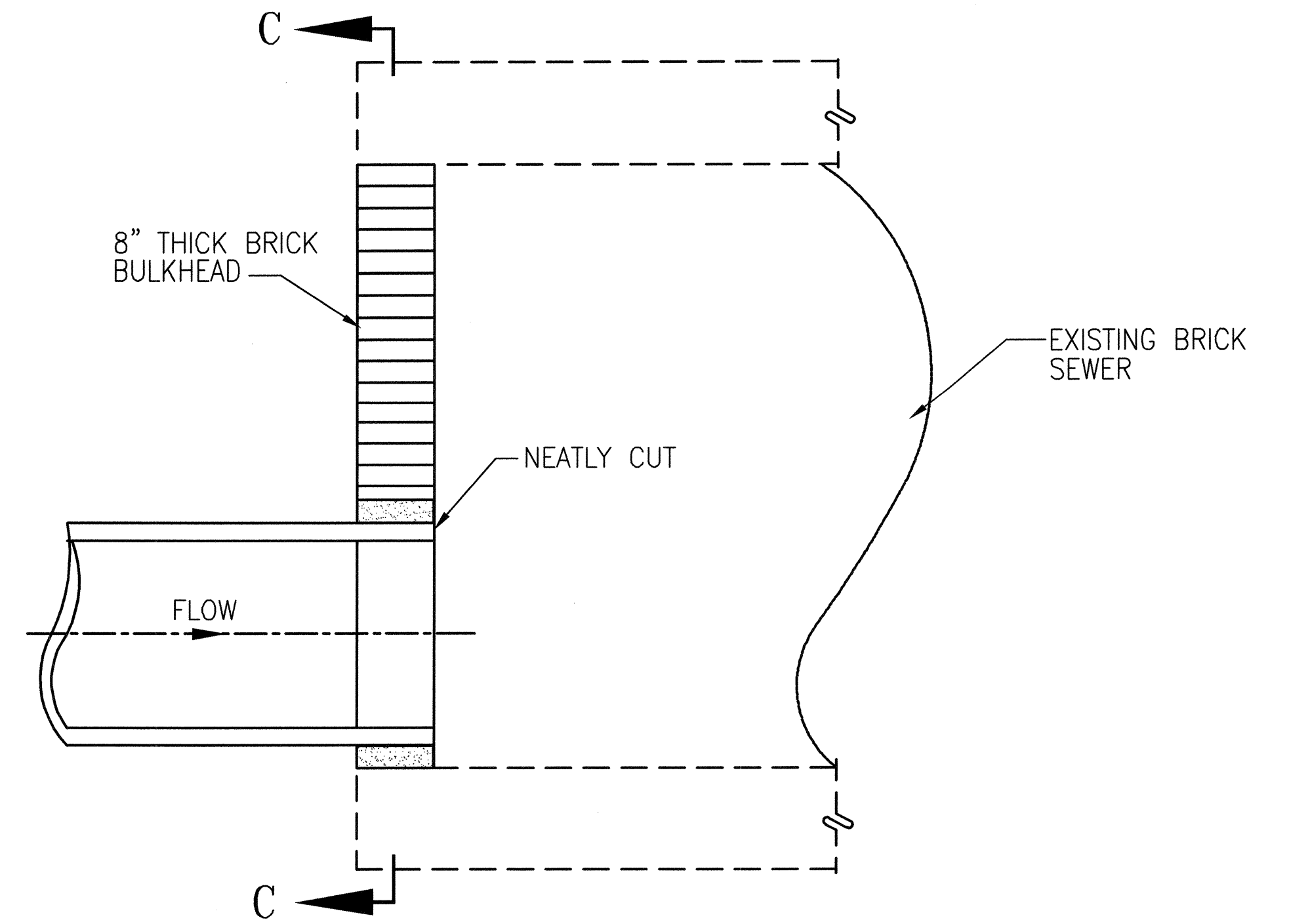


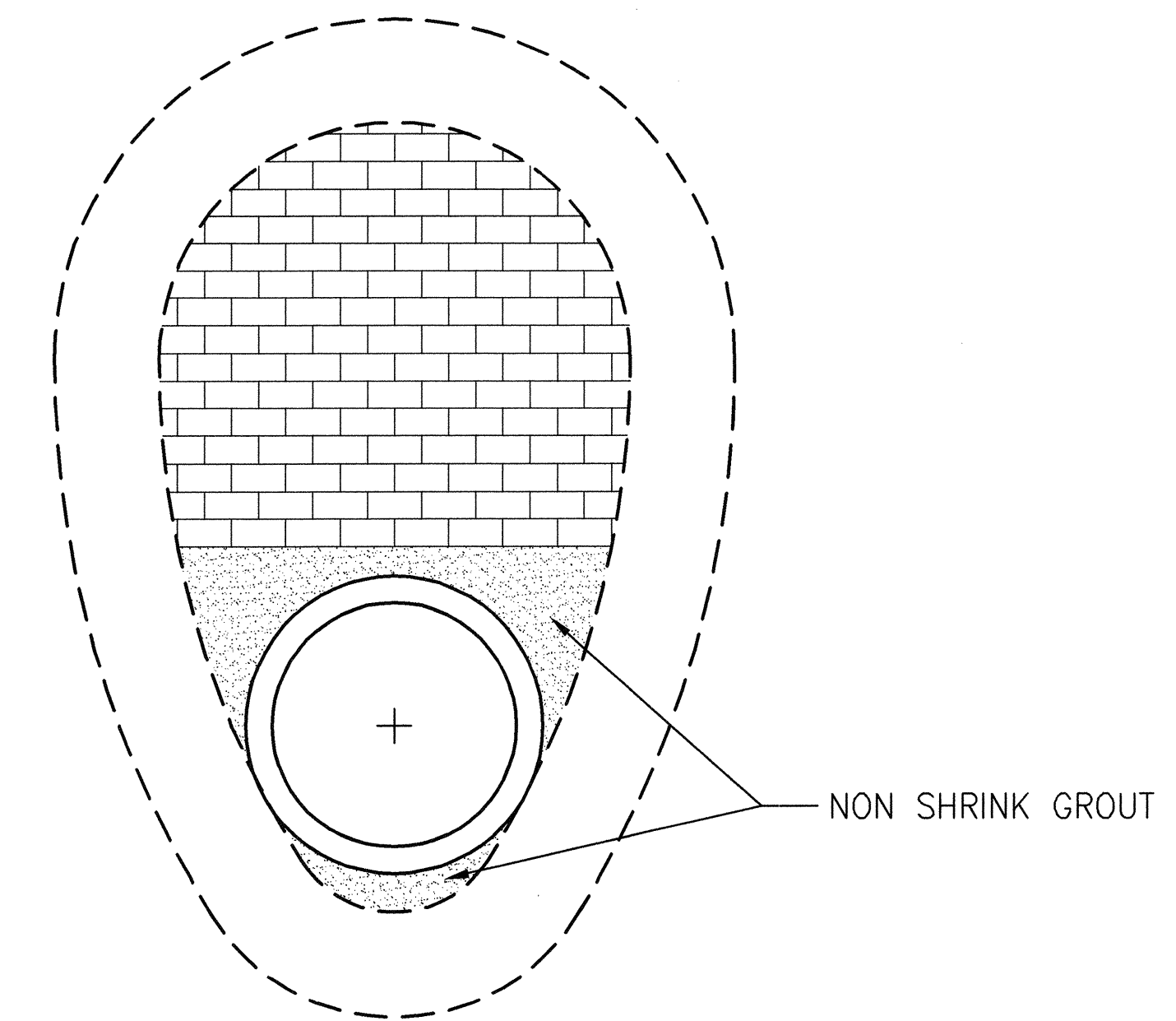
CONNECTION TO SIMILAR SIZE SEWERS
NO SCALE



CONNECTION OF DIFERENT SIZE SEWERS
NO SCALE

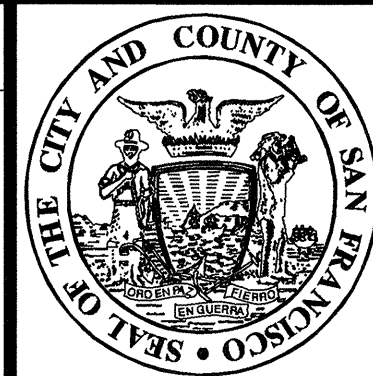


CONNECTION TO BRICK SEWER
NO SCALE



NO.	DATE	DESCRIPTION	BY	APP.
TABLE OF REVISIONS				
CHECK WITH TRACING TO SEE IF YOU HAVE LATEST REVISION				

REFERENCE INFORMATION
& FILE NO. OF SURVEYS



BUREAU OF ENGINEERING
DEPARTMENT OF PUBLIC WORKS
CITY AND COUNTY OF SAN FRANCISCO

REVIEWED:	DATE:	PLANS APPROVAL DATE:	APRIL 30, 2007
ID	12/2006	<i>Ken S.</i>	4/30/07
DRAWN:	DATE:	SECTION MANAGER	
PS	07/2003	<i>M. M.</i>	4/30/07
CHECKED:	DATE:	DEPUTY BUREAU MANAGER	
KS	12/2006	<i>Jan M.</i>	BUREAU MANAGER

STANDARD PLAN	OLD FILE NO.
HYDRAULICS	44,851
SEWER CONNECTION DETAILS	FILE NO.
	87,197
	REV. NO.

Drawing Path: V:\09666_Standard Plans & Specs Update\2_Plans\Title_Blocks\B0E STD Title Block.dwg
 Plot Time: Fri, 27 Apr 2007 - 7:04pm
 Dimension Scale: 40
 Model Units: Feet