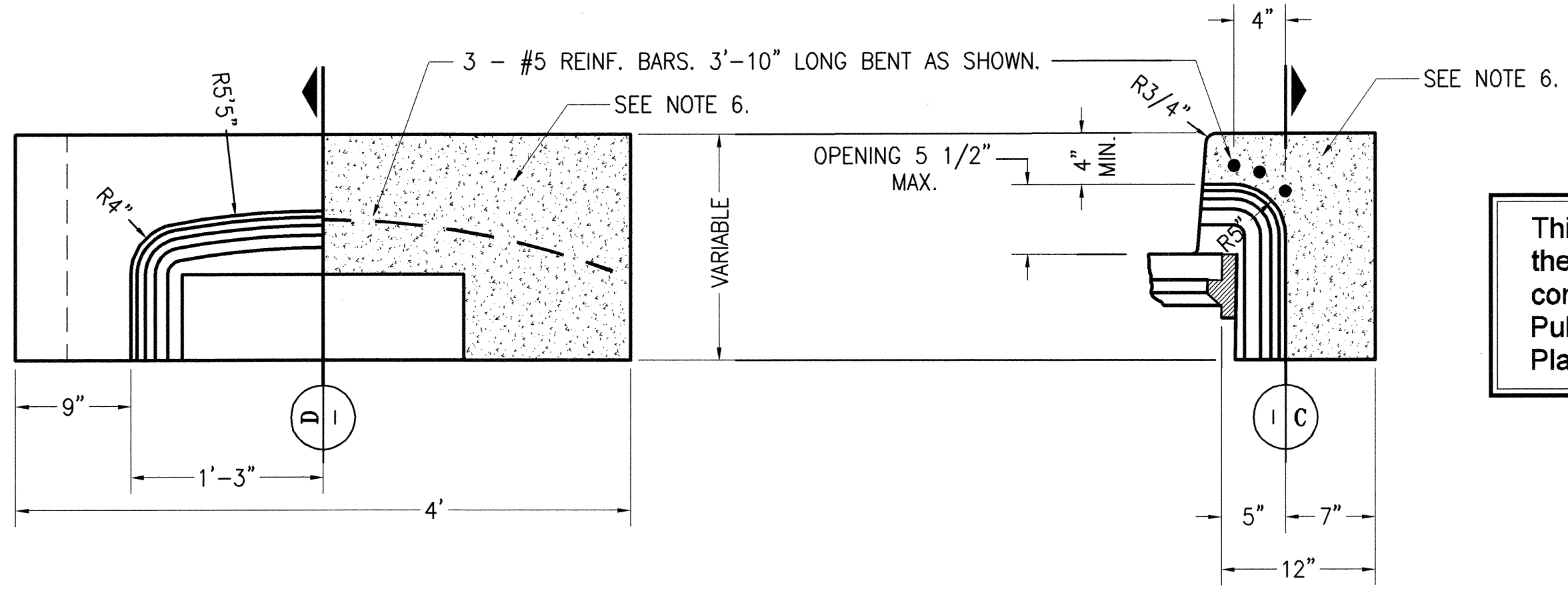


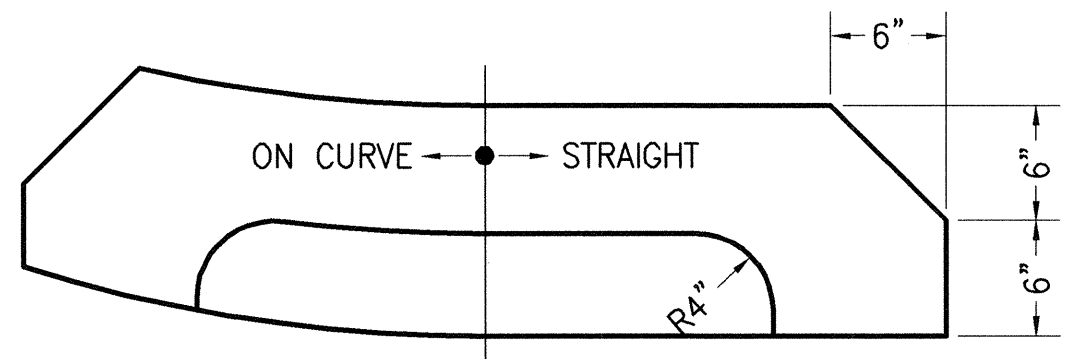
SECTION A-A
SCALE: 1"=10"



ELEVATION SECTION C-C
SCALE: 1"=10"

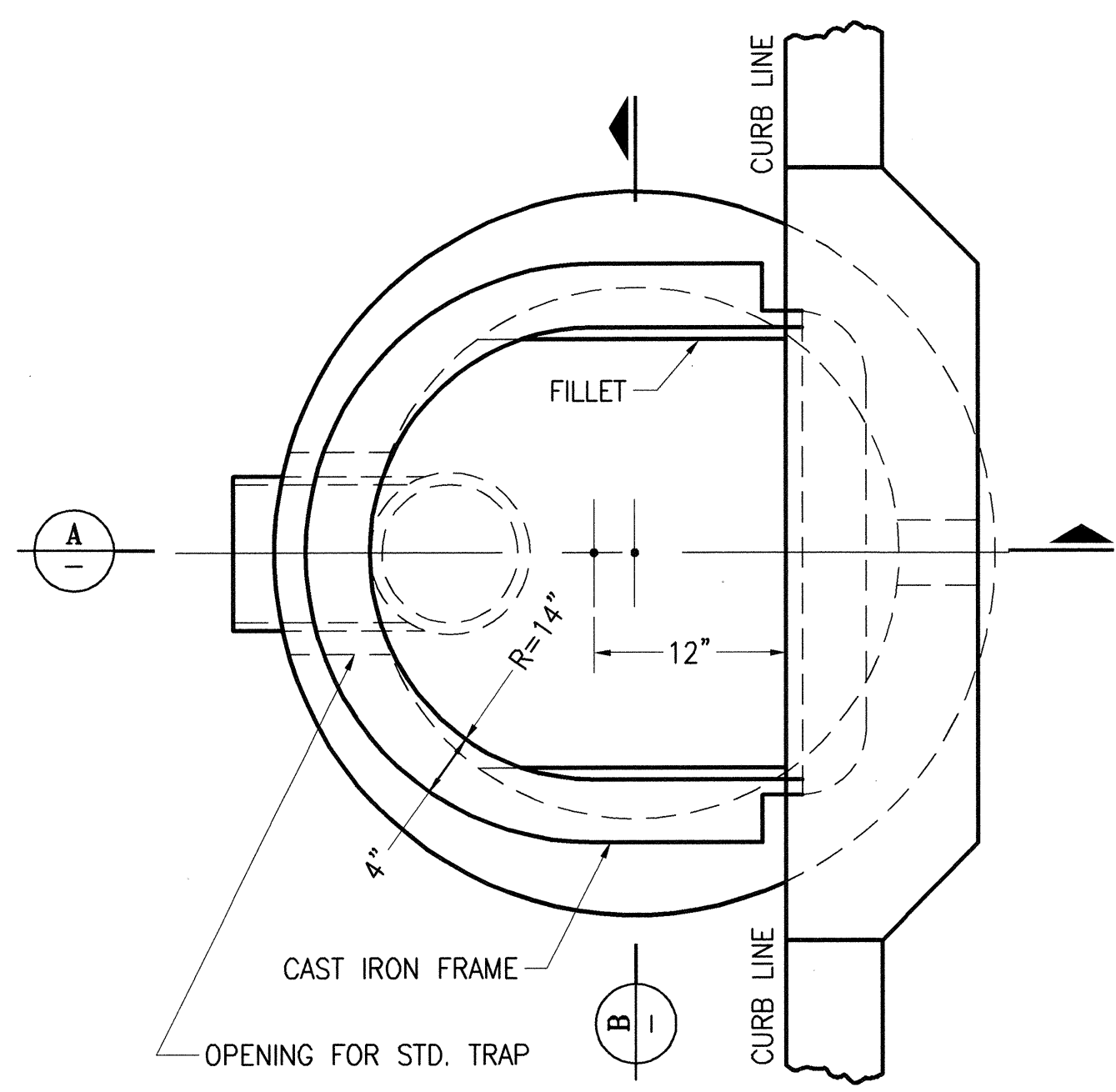
SECTION D-D
SCALE: 1"=10"

This Standard Plan was developed for use on public works projects in the City and County of San Francisco, and shall not be used without consulting a Registered Professional Engineer. The Department of Public Works reserves the right to make revisions to this Standard Plan at any time.

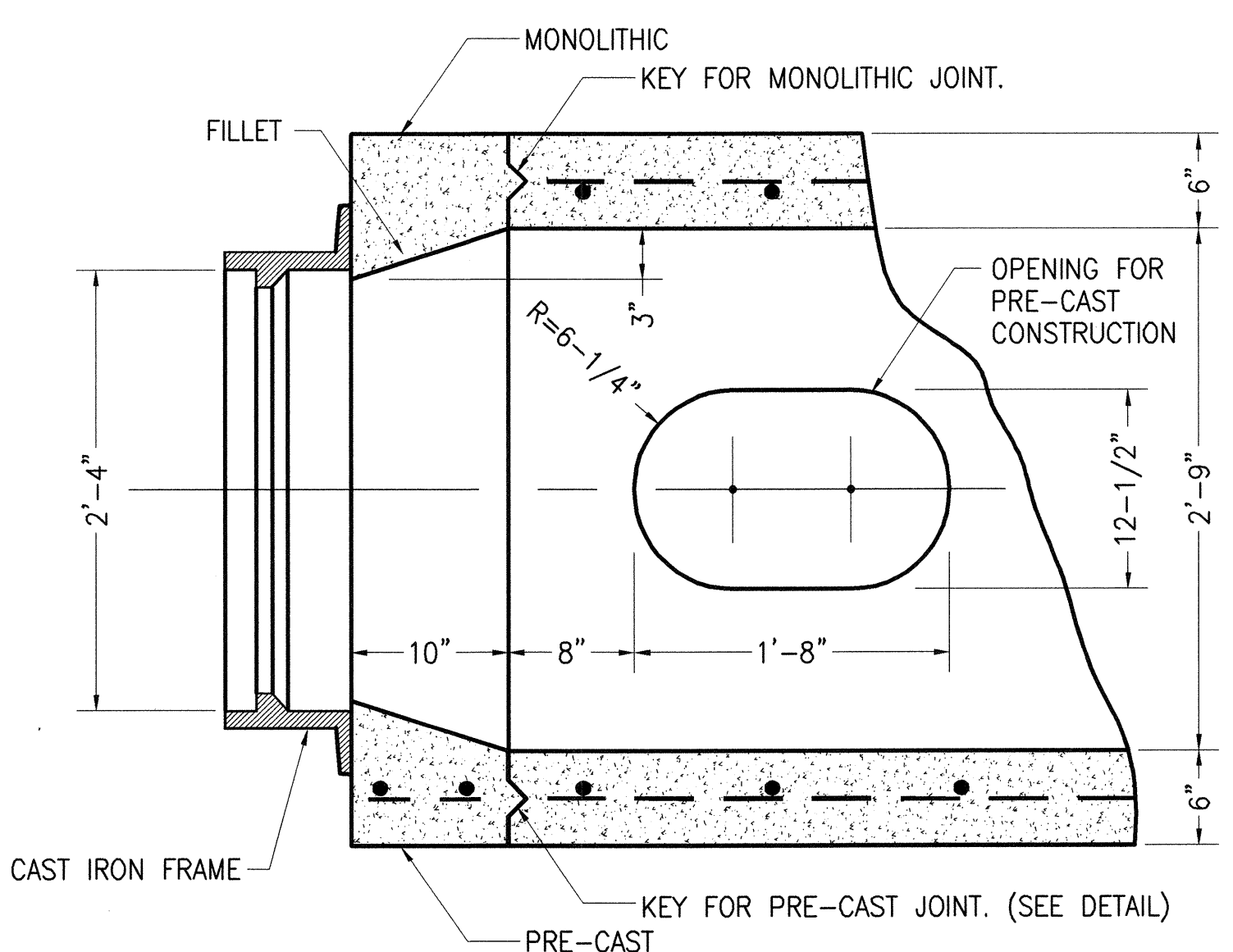


PLAN
SCALE: 1"=10"

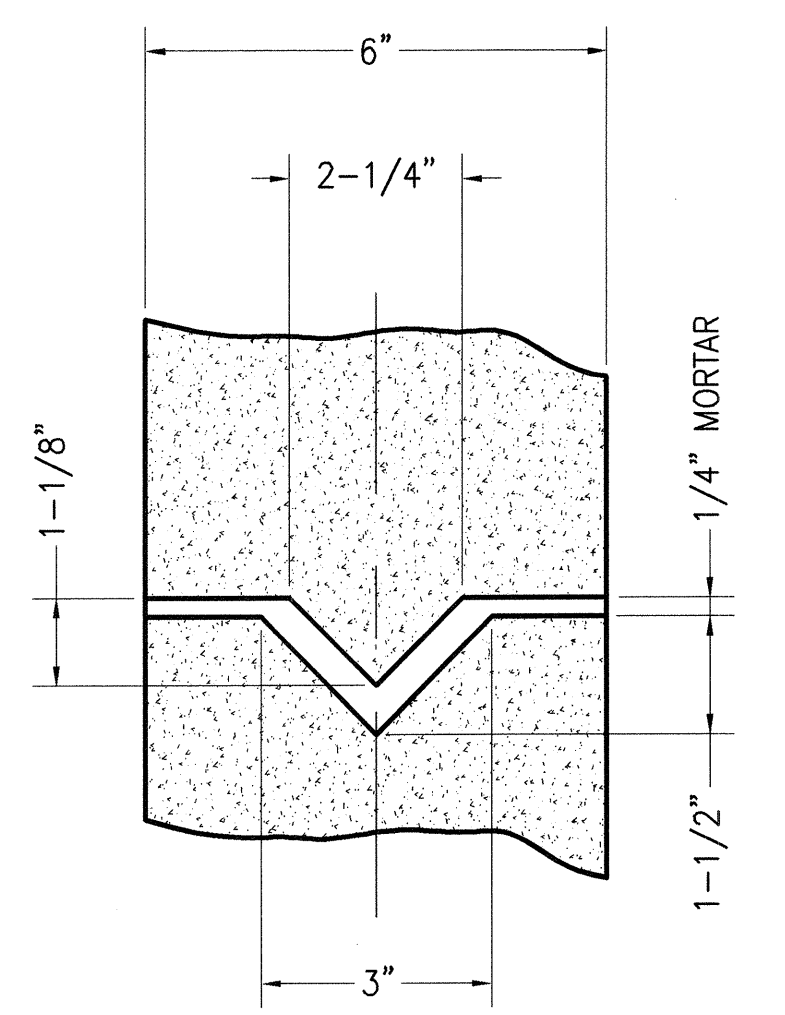
CURB INLET DETAILS



PLAN
SCALE: 1"=10"



SECTION B-B
SCALE: 1"=10"



DETAIL OF KEY
NOT TO SCALE

NOTES:

- 1) BARREL OF C.B. MAY BE PRE-CAST CONCRETE WITH REINFORCING STEEL AS SHOWN, OR POURED IN PLACE CONCRETE WITHOUT STEEL.
- 2) UPPER RING OF C.B. MAY BE PRE-CAST CONCRETE WITH MATCHING KEY AS SHOWN OR POURED IN PLACE CONCRETE WITHOUT STEEL, OR CONSTRUCTED OF BRICK.
- 3) FOR DETAILS OF CATCH BASIN FRAME AND GRATING SEE STD. PLAN NO. 87,193.
- 4) 4"x4" MESH No.4 X No.4 WIRE MAY BE SUBSTITUTED FOR REINFORCING BARS.
- 5) BASE SHALL BE CONCRETE POURED IN PLACE.
- 6) ALL CONCRETE SHALL BE CLASS 6-3000-3/4
- 7) FRAME AND GRATES OF CATCH BASINS TO BE INSTALLED IN TRAVELLED LANES SHALL CONFORM TO GUTTER ELEVATION.
- 8) CLEANOUT CAP SHALL BE "T" CONE EXPANDABLE CLEANOUT PLUG S-802 OF ETCO SPECIAL PRODUCTS, INC. OR EQUAL.

NO.	DATE	DESCRIPTION	BY	APP.
TABLE OF REVISIONS				
CHECK WITH TRACING TO SEE IF YOU HAVE LATEST REVISION				

REFERENCE INFORMATION & FILE NO. OF SURVEYS



BUREAU OF ENGINEERING
DEPARTMENT OF PUBLIC WORKS
CITY AND COUNTY OF SAN FRANCISCO

REVIEWED:	DATE:	PLANS APPROVAL DATE:	APRIL 30, 2007
ID	12/2006	<i>[Signature]</i>	4/30/07
DRAWN:	DATE:		SECTION MANAGER
JL	07/2003	<i>[Signature]</i>	4/30/07
CHECKED:	DATE:		DEPUTY BUREAU MANAGER
KS	12/2006	<i>[Signature]</i>	BUREAU MANAGER

STANDARD PLAN
HYDRAULICS
STANDARD CONCRETE CATCH BASIN WITH CURB INLET & CAST IRON TRAP

OLD FILE NO.	LL-18,039 CH 7
FILE NO.	87,187
REV. NO.	

Drawing Path: V:\09661 Standard Plans & Specs Update\2_Plan\HYD.SP-87187.dwg, Login: carantos
 Dimension Scale: 10
 Model Units: Feet
 Xrefs: V:\09661 Standard Plans & Specs Update\2_Plan\Title_Block\BCE STD Title Block.dwg
 Plot Time: Fri, 27 Apr 2007 6:29pm