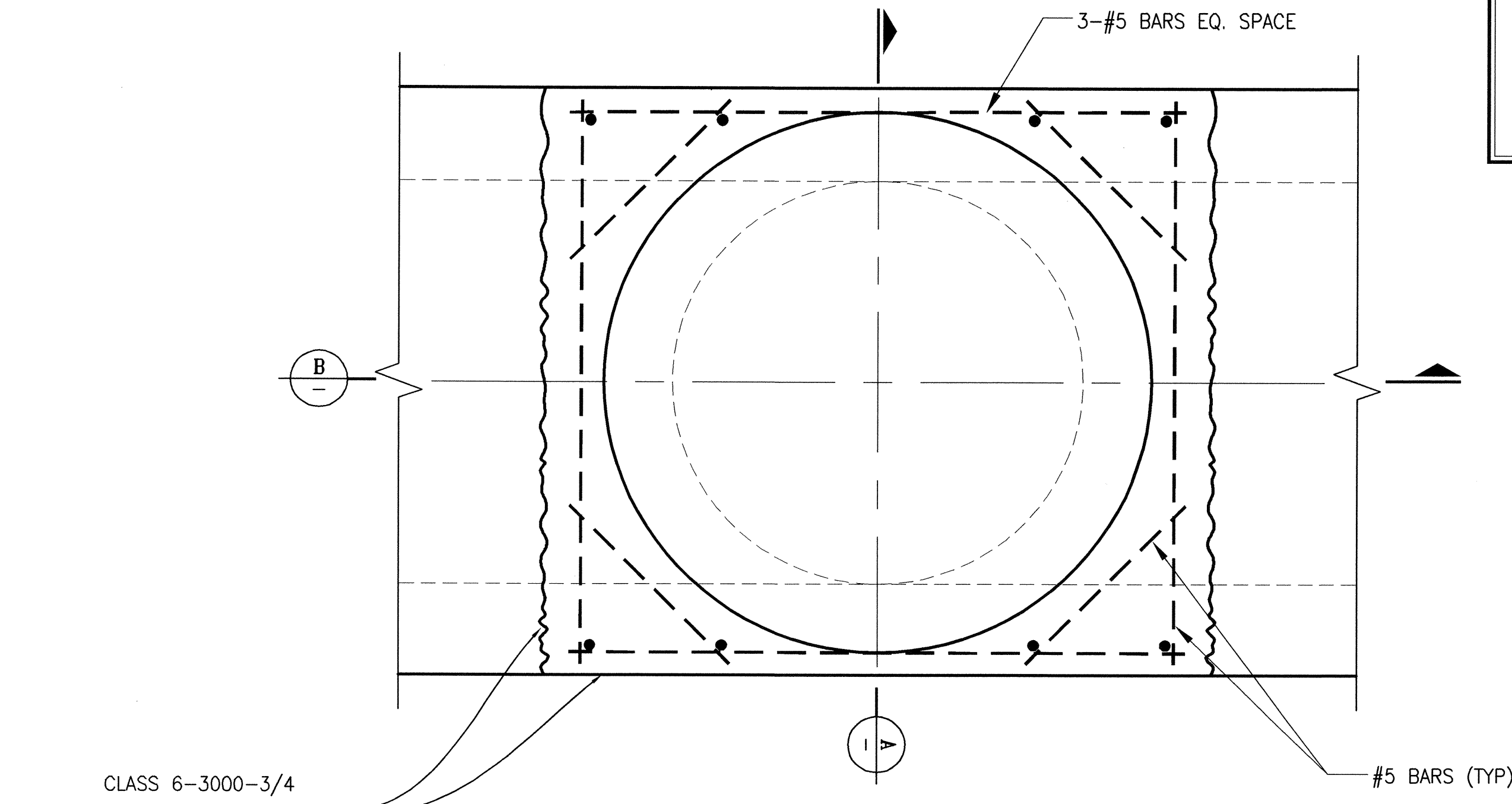
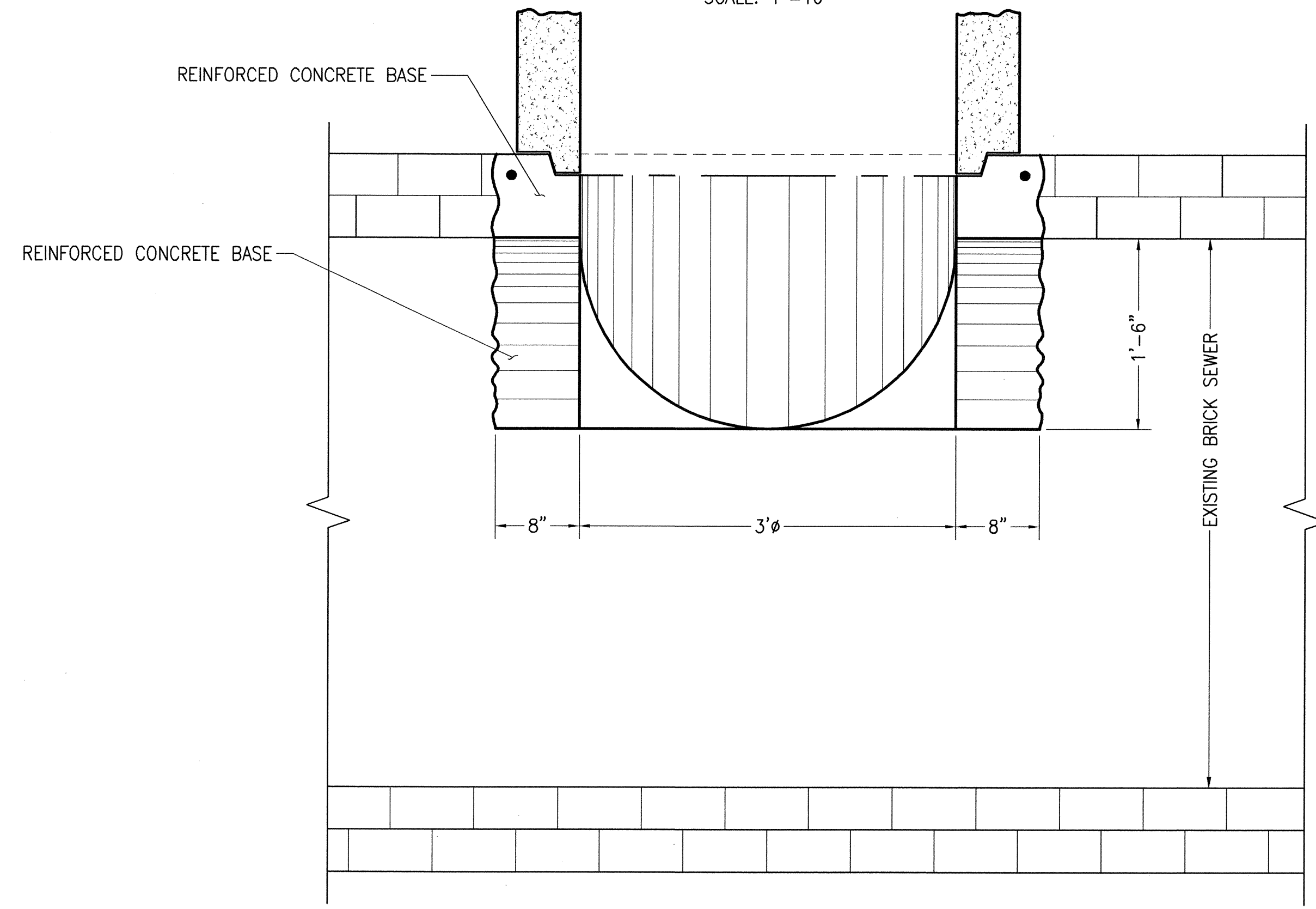


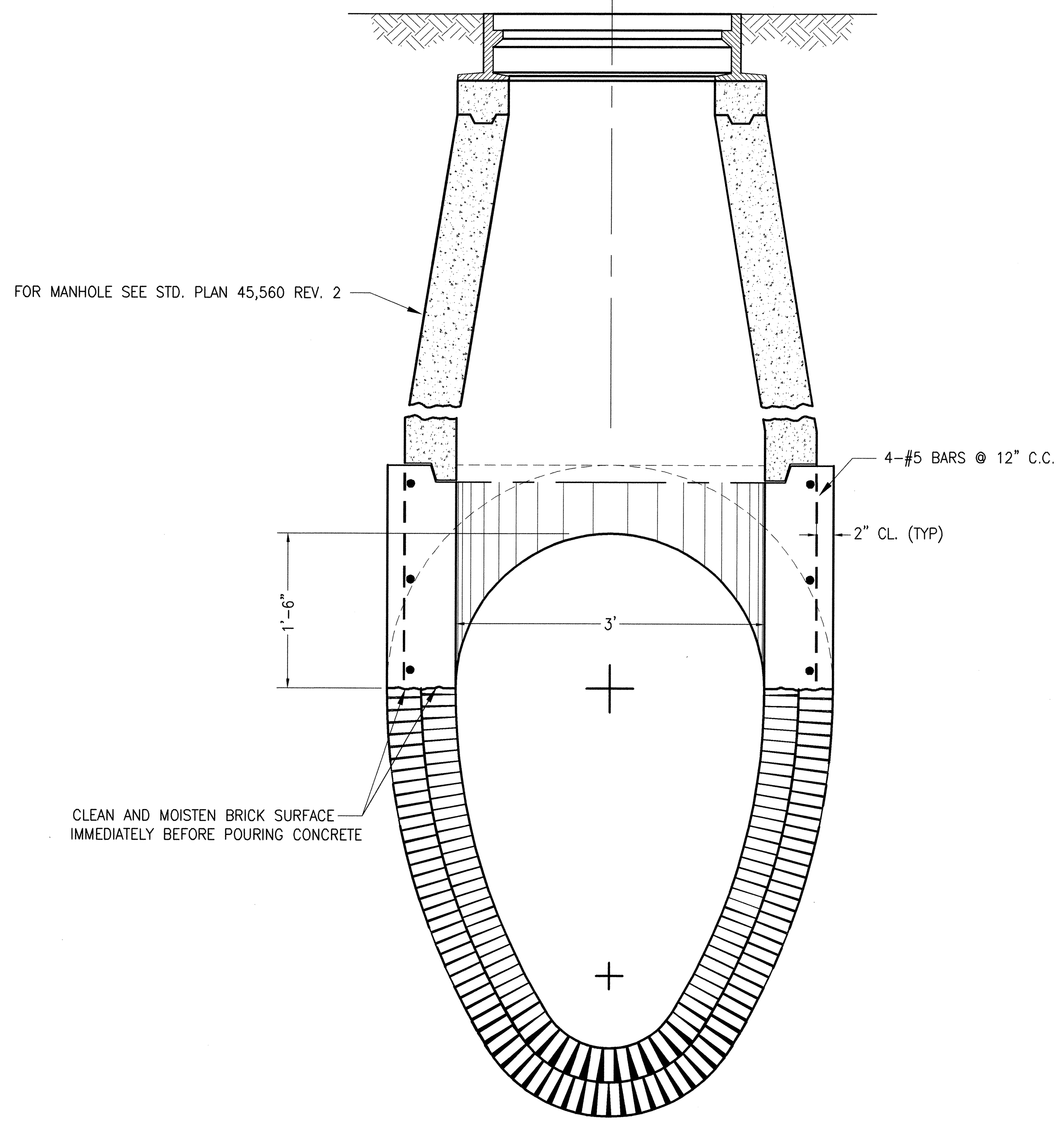
This Standard Plan was developed for use on public works projects in the City and County of San Francisco, and shall not be used without consulting a Registered Professional Engineer. The Department of Public Works reserves the right to make revisions to this Standard Plan at any time.



**PLAN**  
SCALE: 1"=10"



**SECTION B-B**  
SCALE: 1"=10"



**SECTION A-A**  
SCALE: 1"=10"

NO.	DATE	DESCRIPTION	BY	APP.
TABLE OF REVISIONS				
CHECK WITH TRACING TO SEE IF YOU HAVE LATEST REVISION				

REFERENCE INFORMATION  
& FILE NO. OF SURVEYS



**BUREAU OF ENGINEERING**  
DEPARTMENT OF PUBLIC WORKS  
CITY AND COUNTY OF SAN FRANCISCO

REVIEWED: DATE: 12/2006  
ID: JL  
DRAWN: DATE: 07/2003  
CHECKED: DATE: 12/2006

PLANS APPROVAL DATE: APRIL 30, 2007  
SECTION MANAGER: [Signature]  
DEPUTY BUREAU MANAGER: [Signature]  
BUREAU MANAGER: [Signature]

**STANDARD PLAN**  
HYDRAULICS  
PRECAST MANHOLE  
ON EXISTING BRICK SEWER

OLD FILE NO. LL-28,301 CH 1  
FILE NO. 87,185  
REV. NO.

Drawing Path: V:\09666\_Standard Plans & Specs Update\2\_Plans\FINAL\HYD\SP-87185.dwg, Login: carantos  
 Plot Time: Fri, 27 Apr 2007 - 7:23pm  
 Dimension Scale: 10  
 Model Units: Feet  
 Xrefs: V:\09666\_Standard Plans & Specs Update\2\_Plans\FINAL\HYD\SP-87185.dwg, Login: carantos