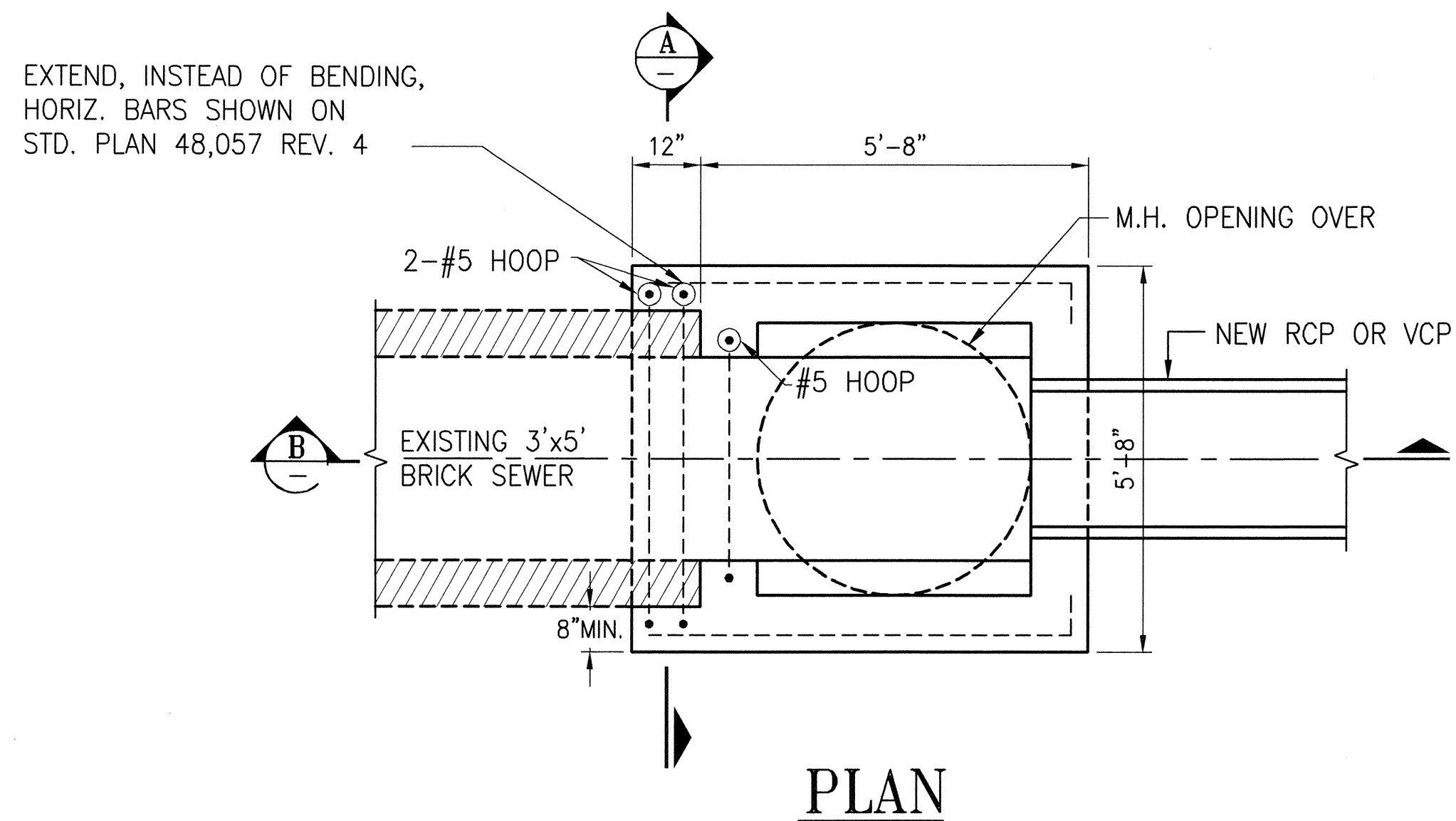
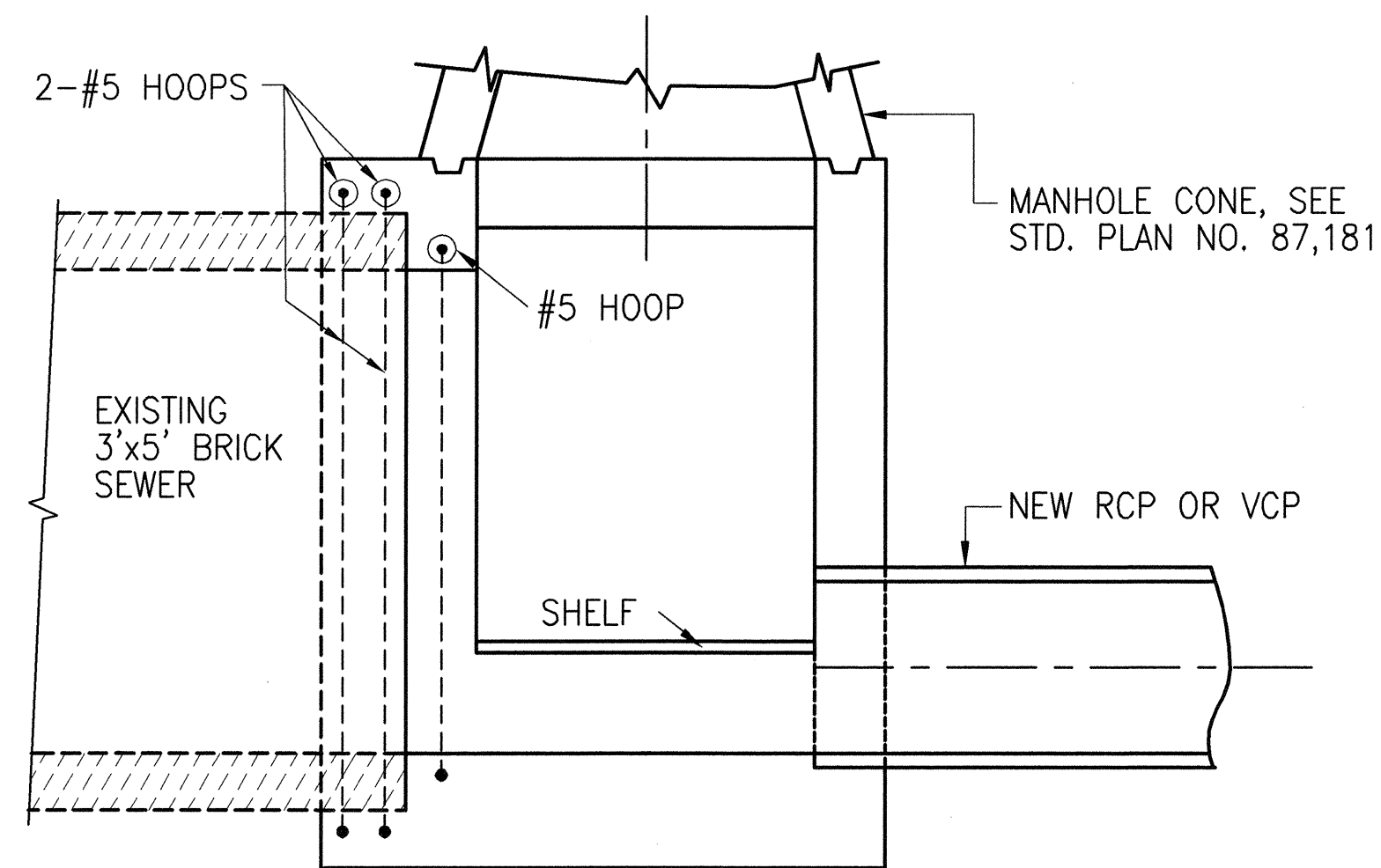


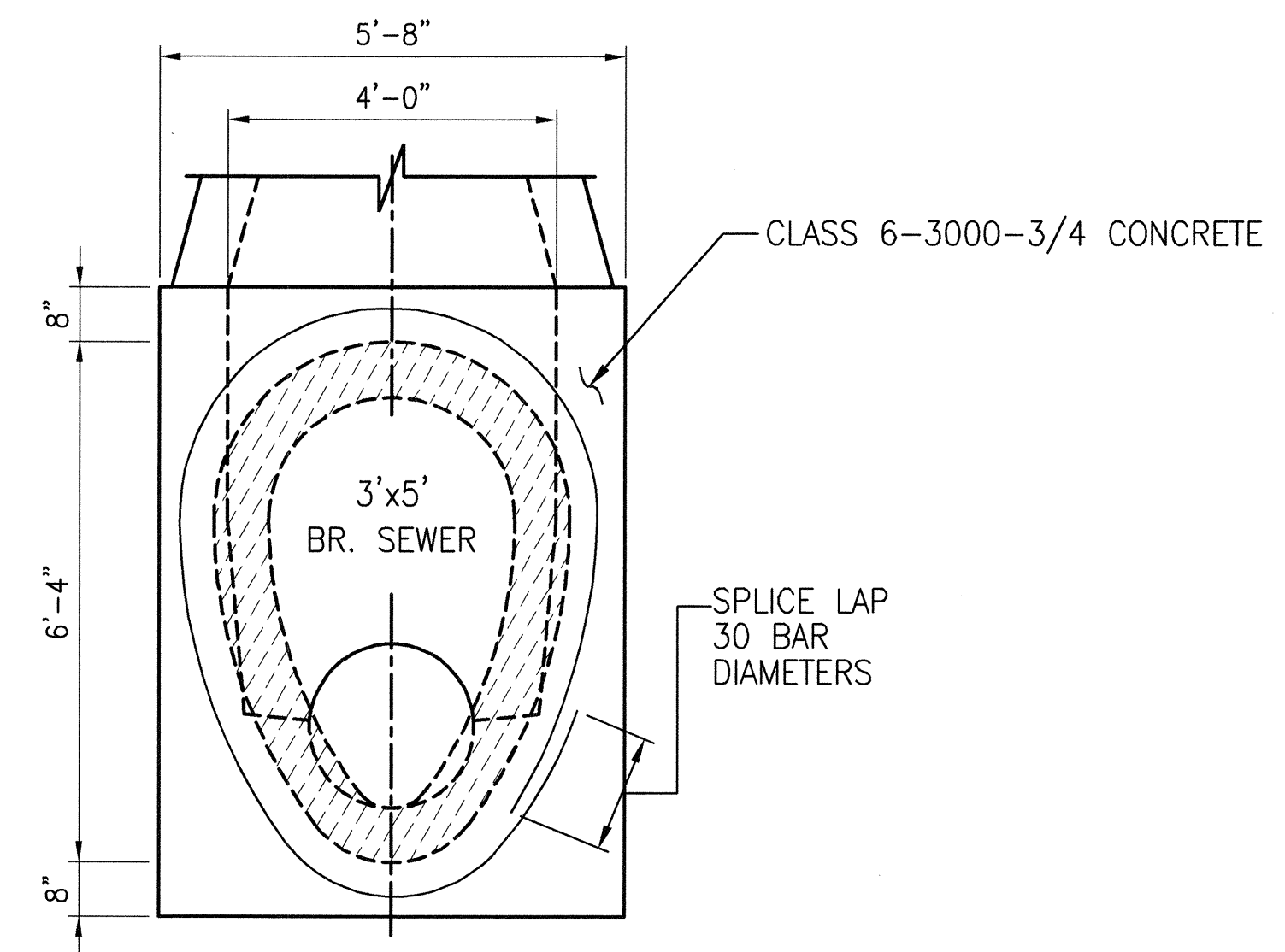
This Standard Plan was developed for use on public works projects in the City and County of San Francisco, and shall not be used without consulting a Registered Professional Engineer. The Department of Public Works reserves the right to make revisions to this Standard Plan at any time.



PLAN



SECTION B-B



SECTION A-A

NOTE : FOR OTHER DIMENSIONS AND REINFORCING STEEL SEE STD. PLAN 48,057 REV. 4

NO.	DATE	DESCRIPTION	BY	APP.
TABLE OF REVISIONS				
CHECK WITH TRACING TO SEE IF YOU HAVE LATEST REVISION				

REFERENCE INFORMATION & FILE NO. OF SURVEYS



BUREAU OF ENGINEERING
 DEPARTMENT OF PUBLIC WORKS
 CITY AND COUNTY OF SAN FRANCISCO

REVIEWED:	DATE:
ID	12/2006
DRAWN:	DATE:
JL	07/2003
CHECKED:	DATE:
KS	12/2006

PLANS APPROVAL DATE:	APRIL 30, 2007
<i>[Signature]</i>	4/30/07
SECTION MANAGER	
<i>[Signature]</i>	4/30/07
DEPUTY BUREAU MANAGER	
<i>[Signature]</i>	
BUREAU MANAGER	

STANDARD PLAN
HYDRAULICS
MODIFIED BOX MANHOLE FOR CONNECTION TO 3'X5' BRICK SEWER

OLD FILE NO.	LL-40,931 CH 1
FILE NO.	87,184
REV. NO.	

Drawing Path: V:\0966J Standard Plans & Specs Update\2_Plan\HYD\SP-87184.dwg, Login: carantos, Dimension Scale: 1, Model Units: Feet, Plot Time: Fri, 27 Apr 2007 - 7:21pm