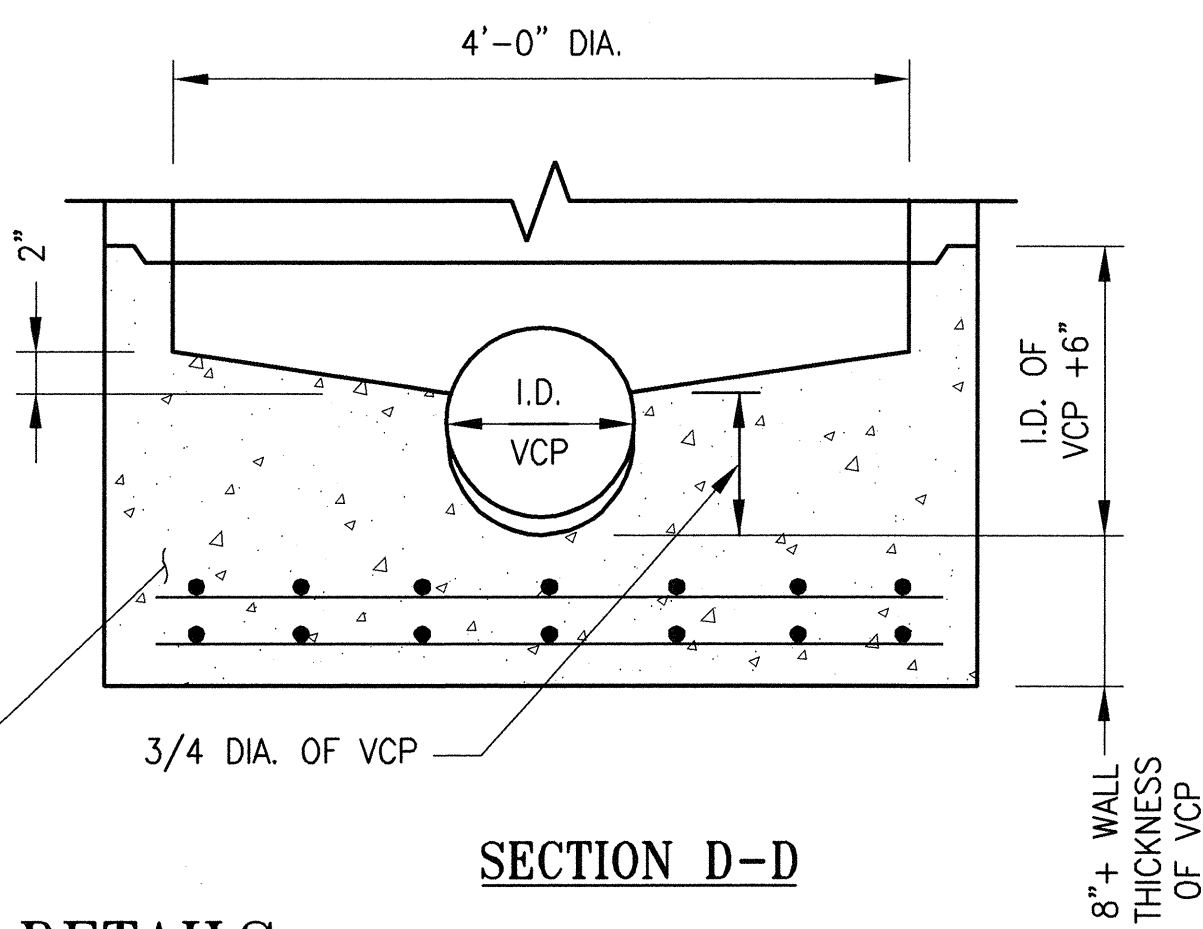
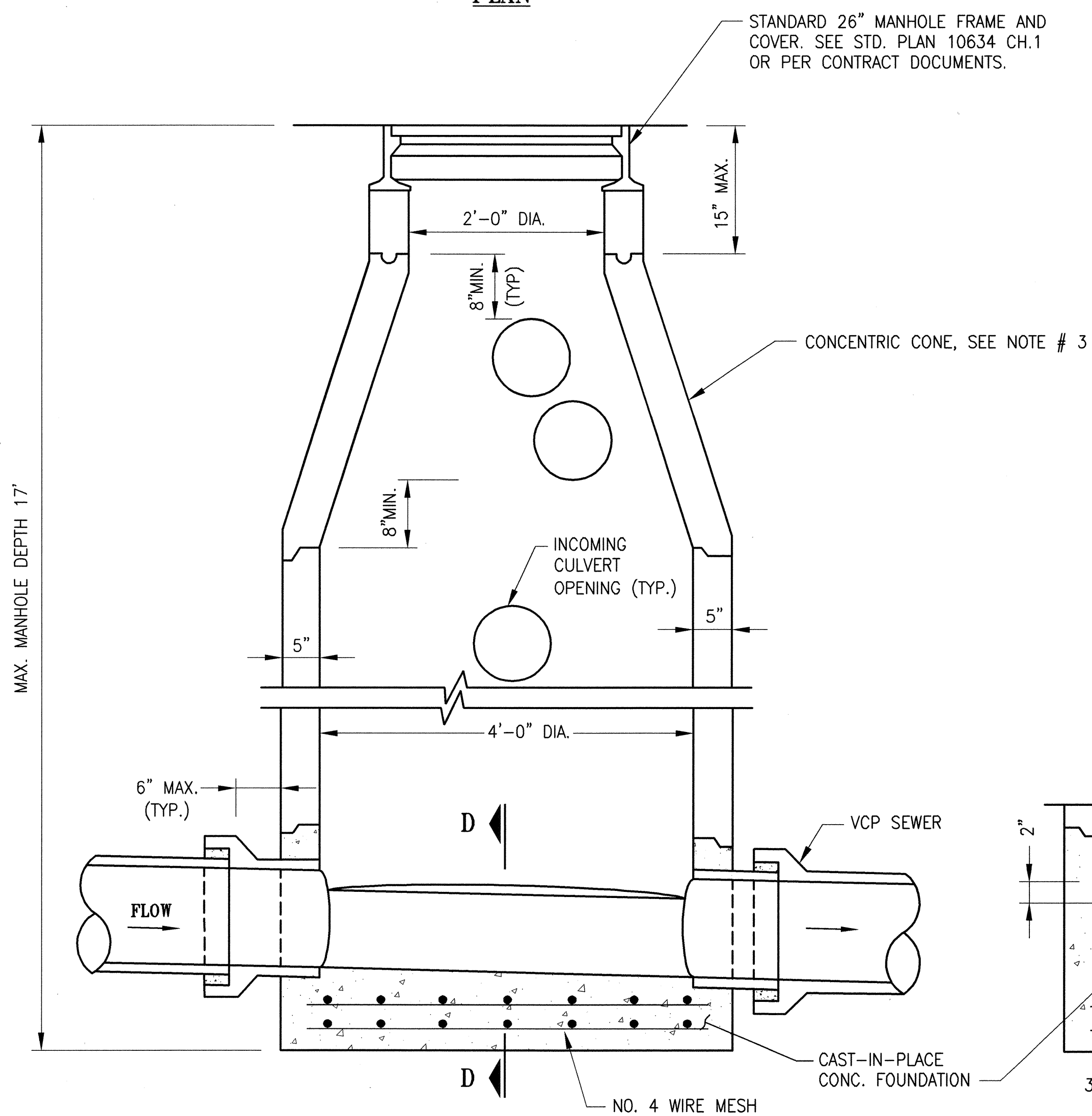
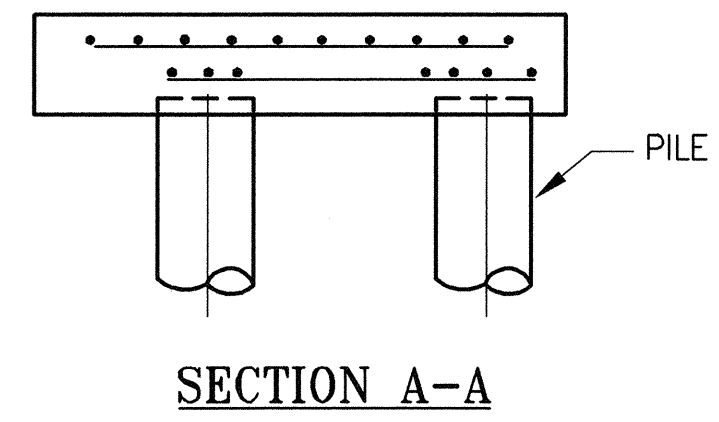
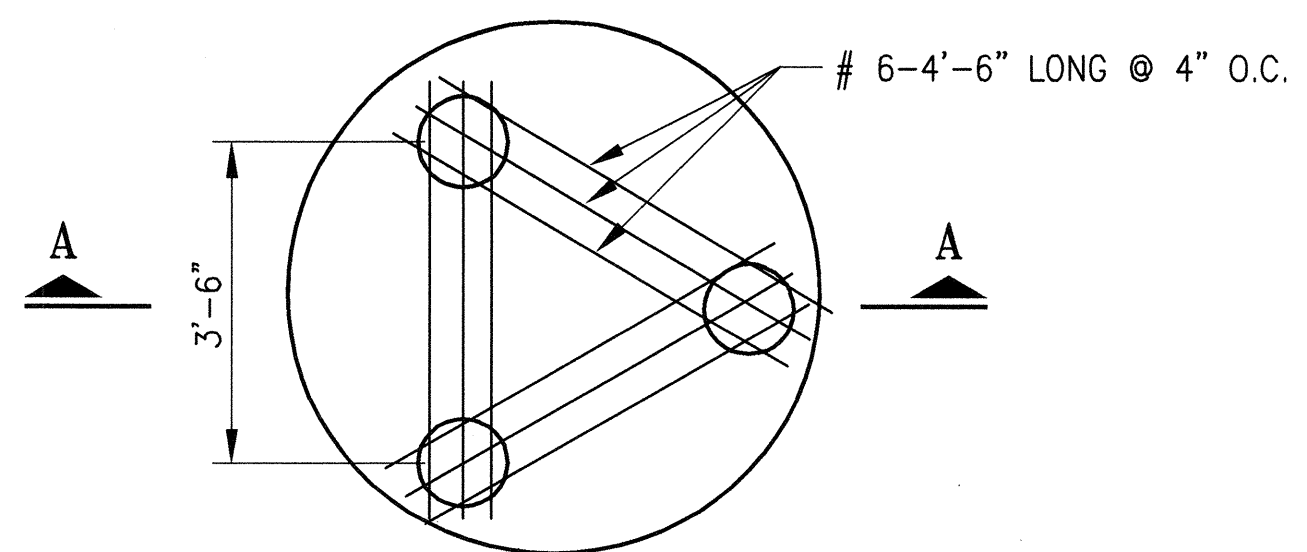
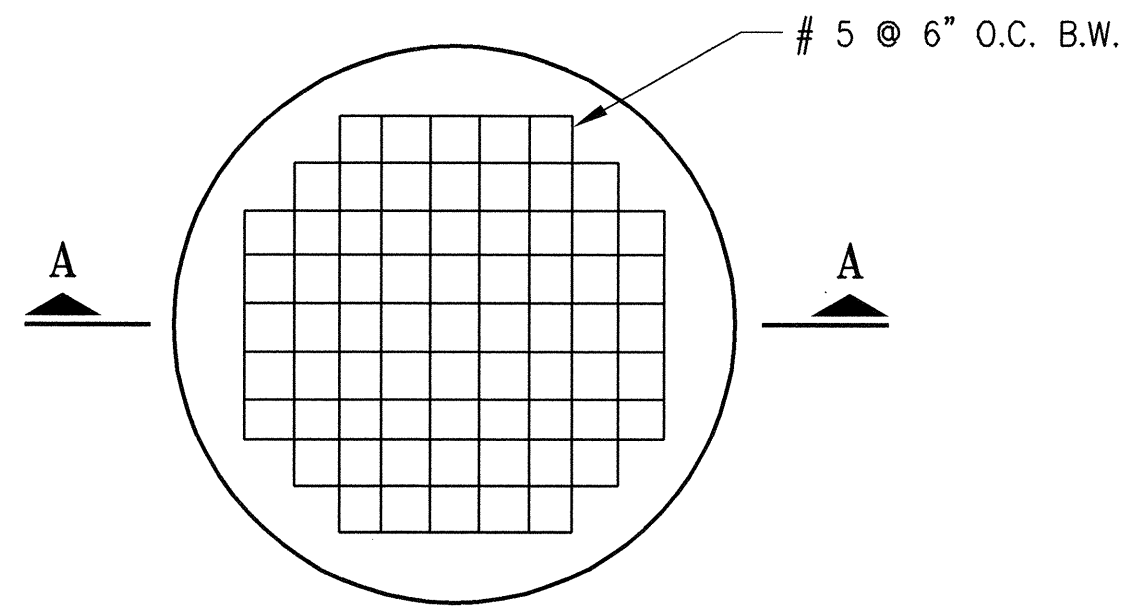


This Standard Plan was developed for use on public works projects in the City and County of San Francisco, and shall not be used without consulting a Registered Professional Engineer. The Department of Public Works reserves the right to make revisions to this Standard Plan at any time.



NOTES

1. MANHOLE FRAME AND ALL JOINTS SHALL BE SET IN CLASS "C" MORTAR.
2. ALL PRECAST COMPONENTS SHALL BE MANUFACTURED IN ACCORDANCE WITH ASTM C-478.
3. VERTICAL WALL OF CONCENTRIC CONE SHALL BE ON UPSTREAM SIDE OF MANHOLE, UNLESS OTHERWISE DIRECTED BY THE ENGINEER.
4. CAST-IN-PLACE CONCRETE FOUNDATION SHALL BE CLASS 6-3000-3/4.
5. CULVERT OPENINGS SHALL BE A MINIMUM OF 8" FROM PRECAST SECTION JOINTS.
6. CONTRACTOR SHALL MINIMIZE NUMBER OF SECTION RINGS BY UTILIZING LARGEST SECTIONS AVAILABLE.
7. STEEL REINFORCEMENT IN CONCRETE FOUNDATION IS NOT REQUIRED IF MANHOLE IS NOT PILE SUPPORTED.
8. SIDE SEWER CONNECTIONS TO THE MANHOLE SHALL NOT BE HIGHER THAN 12" ABOVE THE INVERT OF THE MANHOLE.
9. CULVERT CONNECTIONS SHALL BE FLUSH WITH INSIDE FACE OF THE MANHOLE WALL.
10. MANHOLE DEPTH SHALL NOT EXCEED 17'.

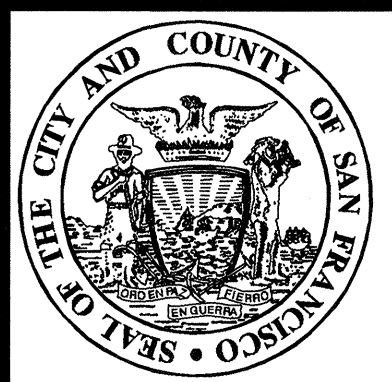


REINFORCED CONCRETE FOUNDATION FOR MANHOLE ON PILES

MANHOLE PLAN AND DETAILS

NO.	DATE	DESCRIPTION	BY	APP.
TABLE OF REVISIONS				
CHECK WITH TRACING TO SEE IF YOU HAVE LATEST REVISION				

REFERENCE INFORMATION & FILE NO. OF SURVEYS



BUREAU OF ENGINEERING
 DEPARTMENT OF PUBLIC WORKS
 CITY AND COUNTY OF SAN FRANCISCO

REVIEWED: DATE: 12/2006	PLANS APPROVAL DATE: APRIL 30, 2007
DRAWN: DATE: 07/2003	SECTION MANAGER
CHECKED: DATE: 12/2006	DEPUTY BUREAU MANAGER
	BUREAU MANAGER

STANDARD PLAN	OLD FILE NO.
HYDRAULICS	45,560 CH 1
PRECAST CONCRETE MANHOLE FOR 12" AND 24" DIAMETER SEWERS	FILE NO. 87,181
	REV. NO.

Drawing Path: V:\0966J Standard Plans & Specs Update\2_Plans\FINAL\HYD\SP-87181.dwg, Login: carantos
 Plot Time: Fri, 27 Apr 2007 7:18pm
 Dimension Scale: 40
 Model Units: Feet