

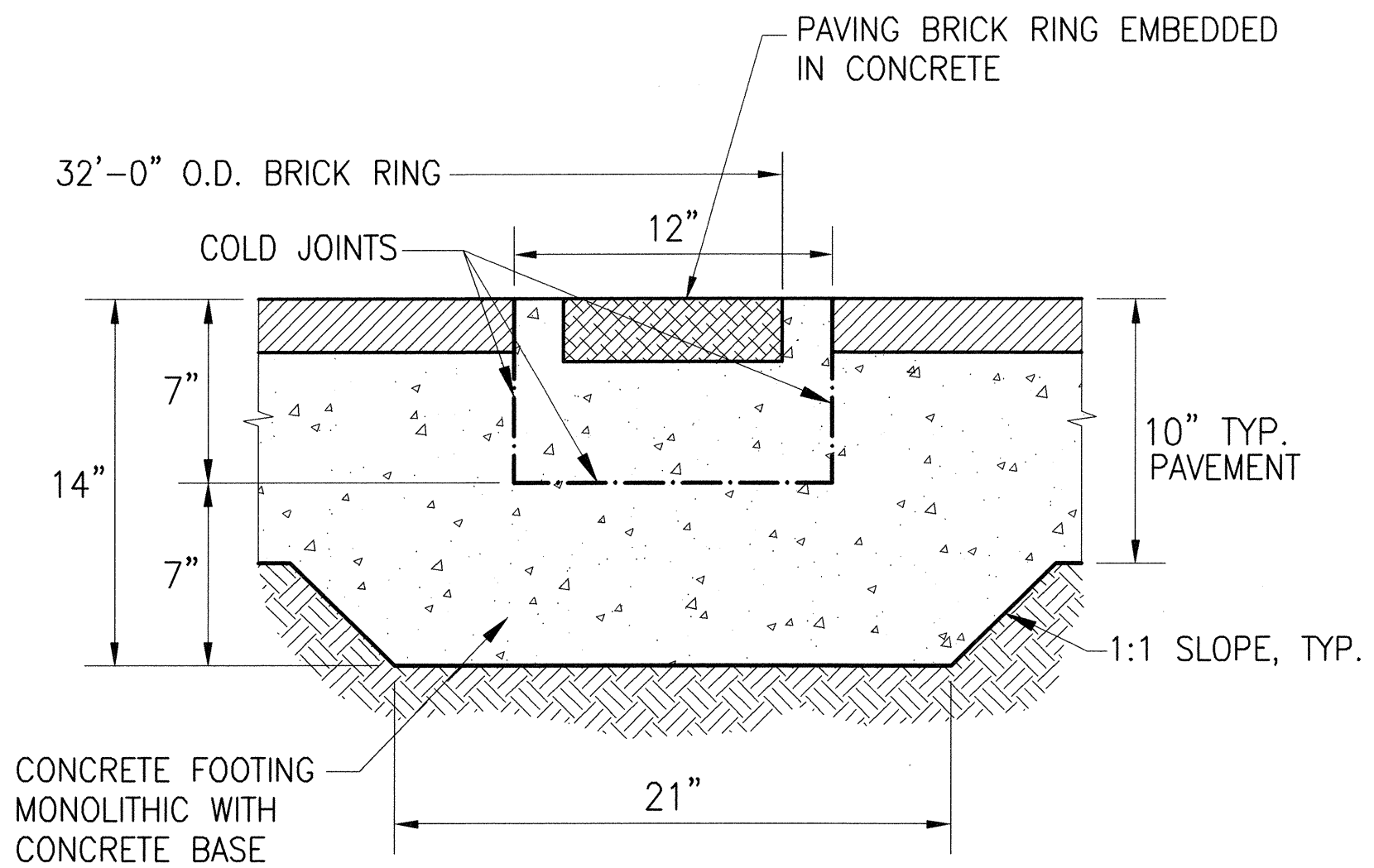
PLAN - TYPICAL AWSS FIRE CISTERN RING

GENERAL NOTES

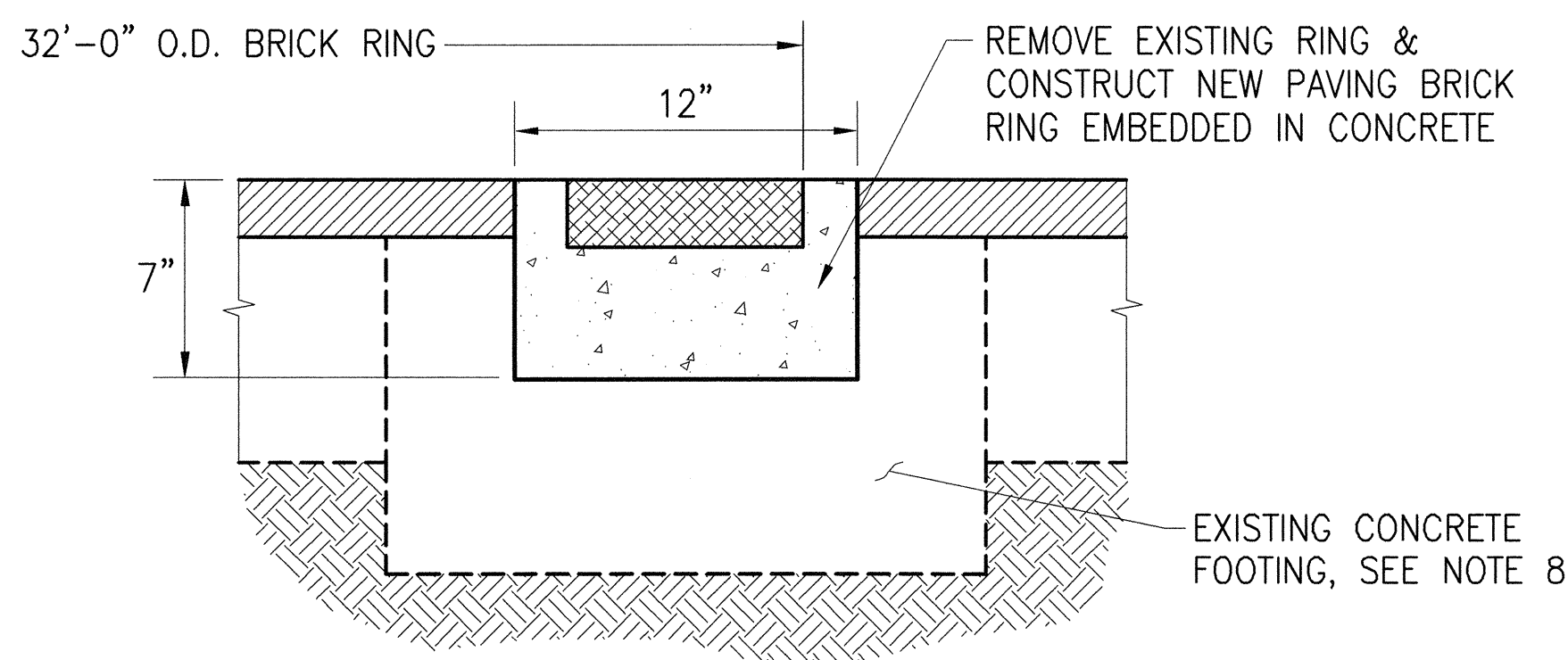
1. FIRE CISTERNS SHALL BE IDENTIFIED WITH A RING OF PAVING BRICKS 32'-0" IN DIAMETER TO THE OUTSIDE EDGE.
2. BRICKS SHALL BE 4" x 8-1/4" x 2-3/8" RED REPPRESSED PAVING BRICKS HAVING ROUND EDGES. ASTM C7-42 LAID FLAT.
3. CONCRETE SHALL BE CLASS E.
4. TOPS OF BRICKS SHALL BE FLUSH WITH STREET PAVEMENT, SPACED 1/2" BETWEEN BRICKS AND LAYED WITH LONG DIMENSION OF BRICK SET RADIALLY.
5. WHERE A CISTERN IS LOCATED PARTIALLY UNDER A SIDEWALK, INSTALL CISTERN IDENTIFICATION RING IN THE STREET AREA ONLY.
6. DO NOT INSTALL CISTERN IDENTIFICATION RING IN THE GUTTER OR PARKING STRIP AREAS.
7. USE THE SAME DETAIL FOR CONSTRUCTING BRICK RING ON EXISTING CONCRETE PAVEMENT.
8. EXISTING BRICK RING CONCRETE FOOTING MAY VARY.

ABBREVIATIONS:

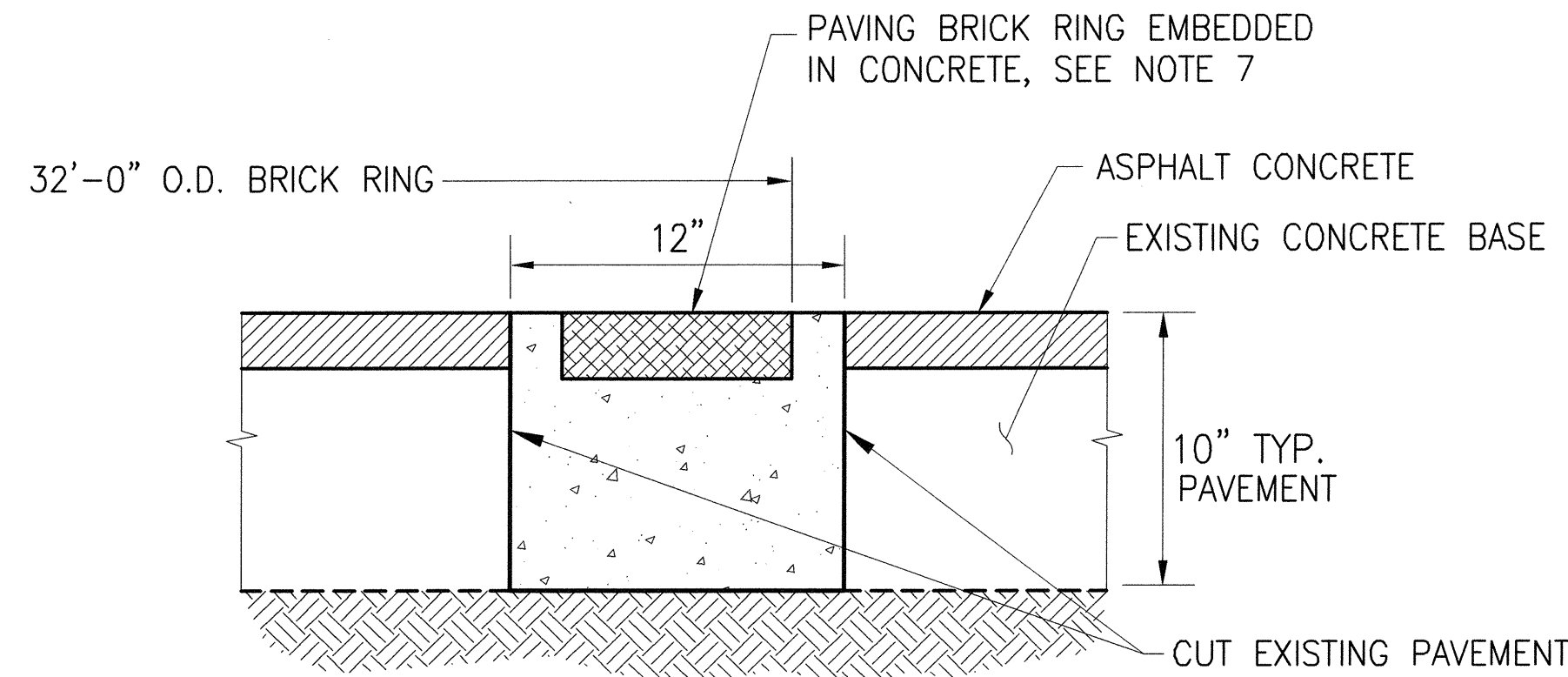
- AWSS = AUXILIARY WATER SUPPLY SYSTEM  
 O.D. = OUTSIDE DIAMETER  
 TYP. = TYPICAL



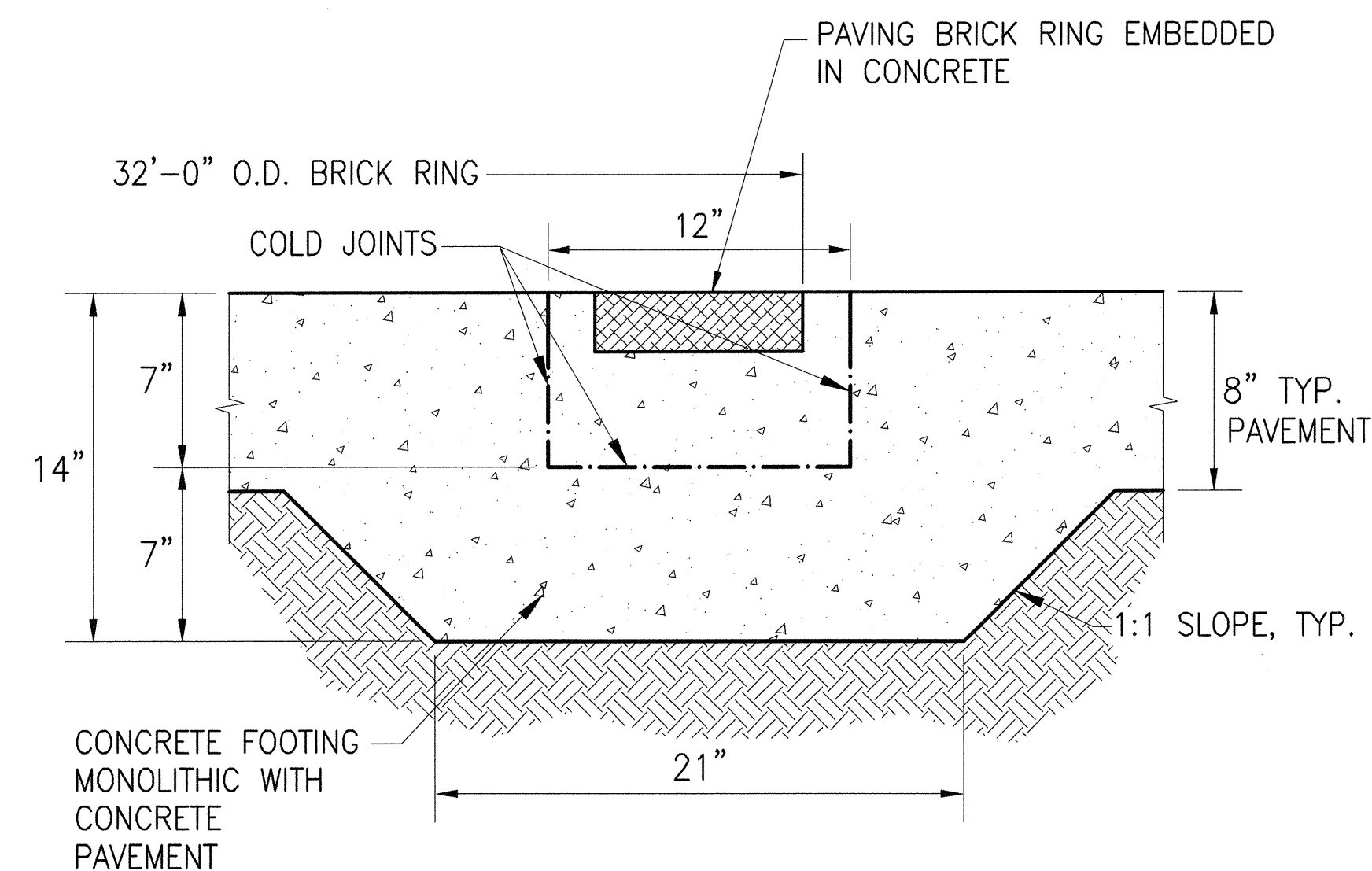
TYPE I - NEW STREET



TYPE III - RESURFACING WITH EXISTING RING



TYPE II - RESURFACING WITH NO EXISTING RING

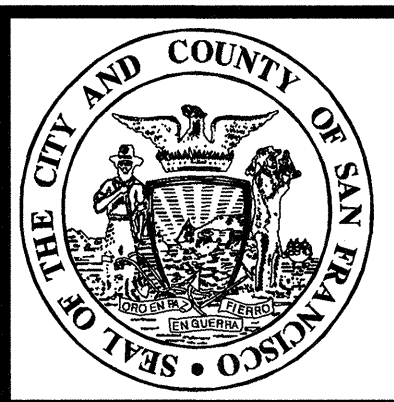


TYPE IV - CONCRETE PAVEMENT

This Standard Plan was developed for use on public works projects in the City and County of San Francisco, and shall not be used without consulting a Registered Professional Engineer. The Department of Public Works reserves the right to make revisions to this Standard Plan at any time.

NO.	DATE	DESCRIPTION	BY	APP.
TABLE OF REVISIONS				
CHECK WITH TRACING TO SEE IF YOU HAVE LATEST REVISION				

REFERENCE INFORMATION & FILE NO. OF SURVEYS



**BUREAU OF ENGINEERING**  
 DEPARTMENT OF PUBLIC WORKS  
 CITY AND COUNTY OF SAN FRANCISCO

REVIEWED: DATE:	PLANS APPROVAL DATE: APRIL 30, 2007
PR 04/20/07	<i>Paul D. De...</i> 4/27/07 SECTION MANAGER
DRAWN: DATE:	<i>M...</i> 4/30/07 DEPUTY BUREAU MANAGER
JC 04/20/07	<i>Joe...</i> BUREAU MANAGER
CHECKED: DATE:	
EK 04/20/07	

<b>STANDARD PLAN</b>	OLD FILE NO.
<b>STREETS AND HIGHWAYS</b>	HPL-5132.8 CH 1
<b>AWSS CISTERN IDENTIFICATION PAVEMENT RING</b>	FILE NO.
	87,179
	REV. NO.

Drawing Path: V:\0966J\_Standard Plans & Specs Update\2\_Plans\Title\_Block\BOE STD Title Block.dwg  
 Xrefs: V:\0966J\_Standard Plans & Specs Update\2\_Plans\Title\_Block\BOE STD Title Block.dwg  
 Dimension Scale: 4  
 Model Units: Feet  
 Login: carantos  
 Measurement Units are English  
 Plot Time: Fri, 27 Apr 2007 - 12:16pm