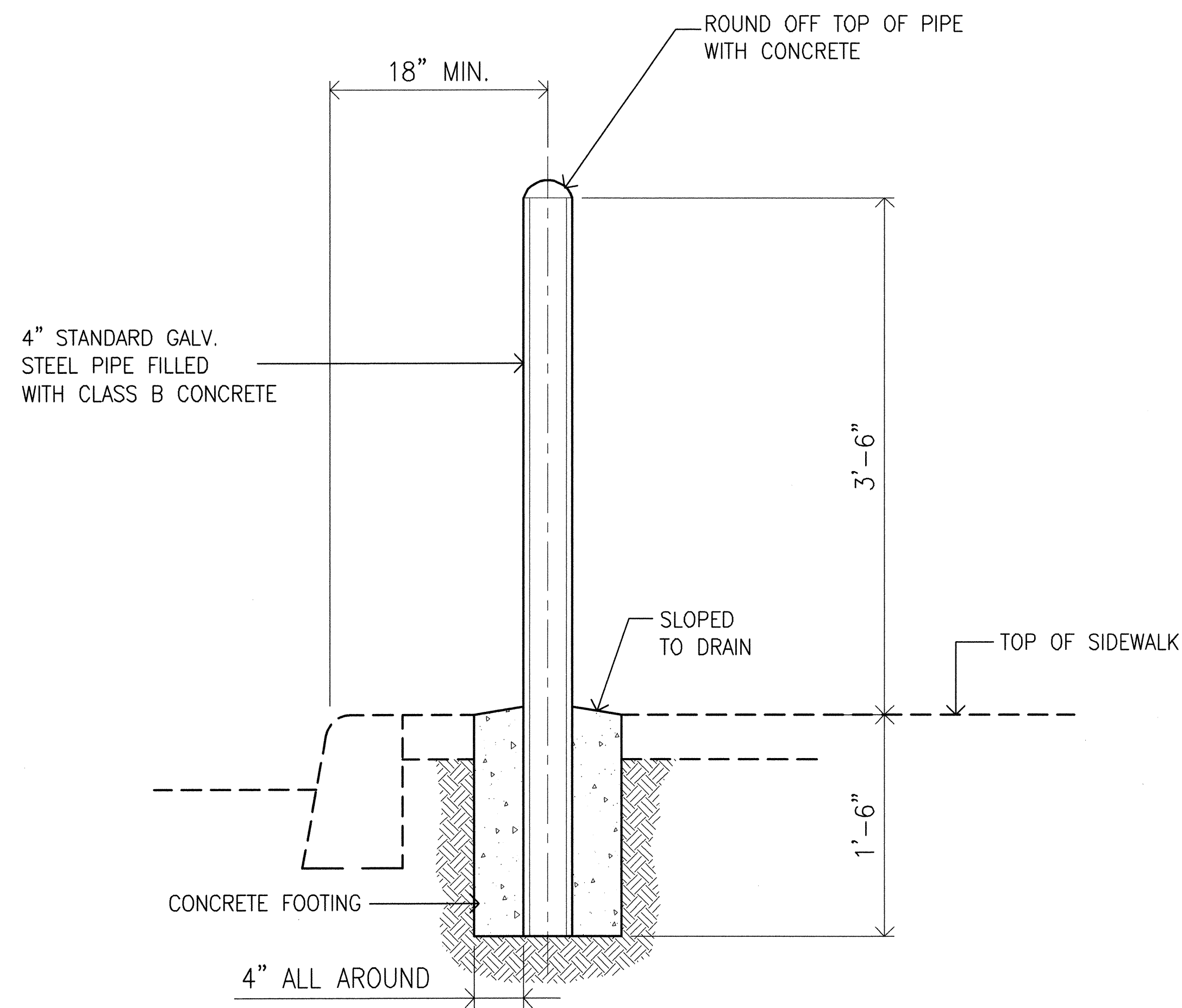


PLAN VIEW OF SIDEWALK BOLLARDS

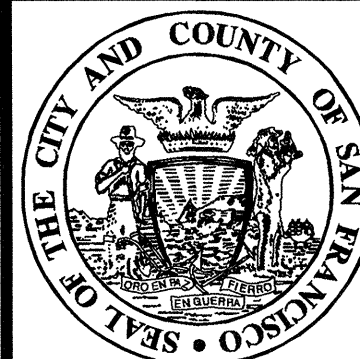


SECTION "A-A"

This Standard Plan was developed for use on public works projects in the City and County of San Francisco, and shall not be used without consulting a Registered Professional Engineer. The Department of Public Works reserves the right to make revisions to this Standard Plan at any time.

NO.	DATE	DESCRIPTION	BY	APP.
TABLE OF REVISIONS				
CHECK WITH TRACING TO SEE IF YOU HAVE LATEST REVISION				

REFERENCE INFORMATION & FILE NO. OF SURVEYS



BUREAU OF ENGINEERING
DEPARTMENT OF PUBLIC WORKS
CITY AND COUNTY OF SAN FRANCISCO

REVIEWED: DATE: 10/01/06
 DRAWN: DATE: 10/01/06
 CHECKED: DATE: 11/01/06

PLANS APPROVAL DATE: APRIL 30, 2007
 SECTION MANAGER
 DEPUTY BUREAU MANAGER
 BUREAU MANAGER

STANDARD PLAN
STREETS AND HIGHWAYS
STANDARD SIDEWALK BOLLARD

OLD FILE NO. L-35,584
 FILE NO. 87,178
 REV. NO.

Xrefs: V:\0966J Standard Plans & Specs Update\2_Plans\Title_Block\BOE STD Title Block.dwg
 Dimension Scale: 500
 Model Units: Meters
 Drawing Path: V:\0966J Standard Plans & Specs Update\2_Plans\FINAL\SH\RT11.dwg, Login: carantos
 Plot Time: Fri, 27 Apr 2007 - 10:37am
 Measurement Units are Metric