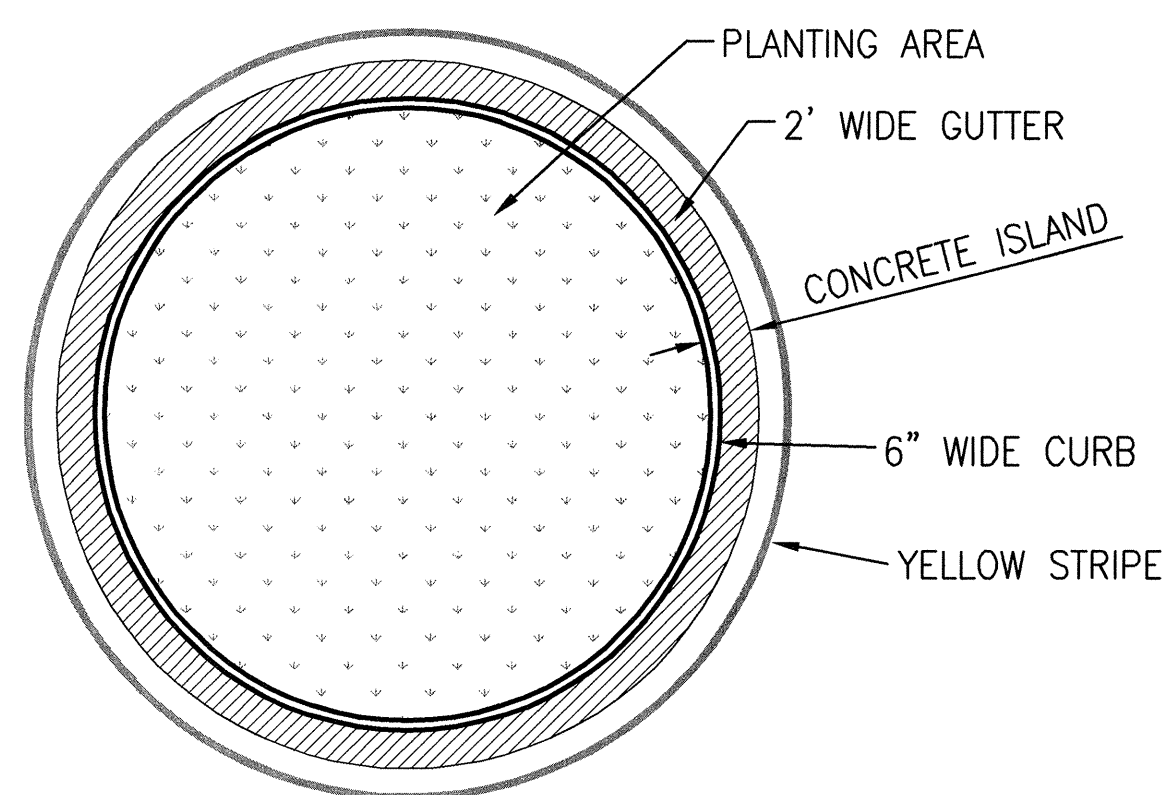
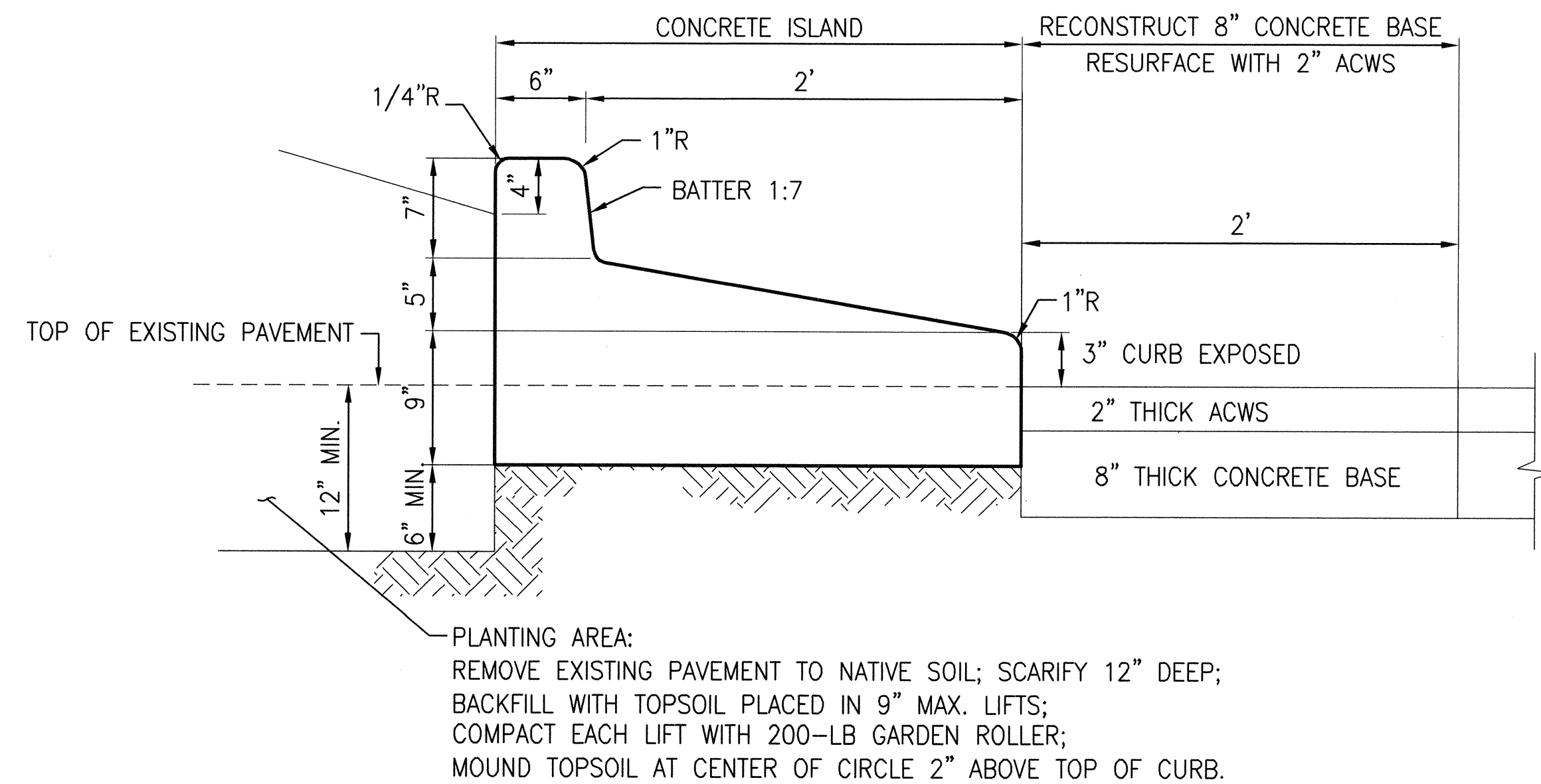


TRAFFIC CIRCLE

MINIMUM TRAFFIC CIRCLE DIMENSIONS MUST BE MET,
OTHER DIMENSIONS MAY VARY ACCORDING TO STREET DIMENSIONS.



TRAFFIC CIRCLE-PLAN VIEW



TRAFFIC CIRCLE DETAIL

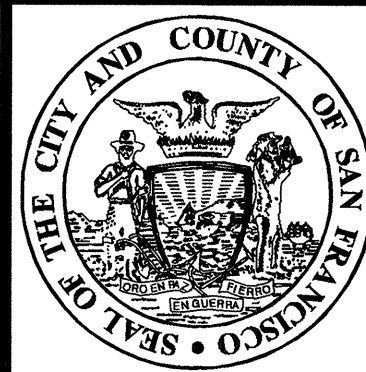
NOTE:

ACWS = ASPHALT CONCRETE WEARING SURFACE

This Standard Plan was developed for use on public works projects in the City and County of San Francisco, and shall not be used without consulting a Registered Professional Engineer. The Department of Public Works reserves the right to make revisions to this Standard Plan at any time.

NO.	DATE	DESCRIPTION	BY	APP.
TABLE OF REVISIONS				
CHECK WITH TRACING TO SEE IF YOU HAVE LATEST REVISION				

REFERENCE INFORMATION & FILE NO. OF SURVEYS



BUREAU OF ENGINEERING
DEPARTMENT OF PUBLIC WORKS
CITY AND COUNTY OF SAN FRANCISCO

REVIEWED: DATE:	PLANS APPROVAL DATE:	APRIL 30, 2007
PR 10/01/06	<i>Patricia...</i>	4/27/07
DRAWN: DATE:	SECTION MANAGER	
GY 10/01/06	<i>M...</i>	4/30/07
CHECKED: DATE:	DEPUTY BUREAU MANAGER	
EK 11/01/06	<i>Jan...</i>	
	BUREAU MANAGER	

STANDARD PLAN	OLD FILE NO.	NONE
STREETS AND HIGHWAYS	FILE NO.	87,176
TRAFFIC CIRCLE DETAILS	REV. NO.	

Xrefs: V:\0966J Standard Plans & Specs Update\2_Plans\Title_Block\BOT STD Title Block.dwg
 Dimension Scale: 0.5
 Model Units: Inches
 Drawing Path: V:\0966J Standard Plans & Specs Update\2_Plans\FINAL\SH\RB.dwg, Login: carantos
 Plot Time: Fri, 27 Apr 2007 - 10:56am
 Measurement Units are English