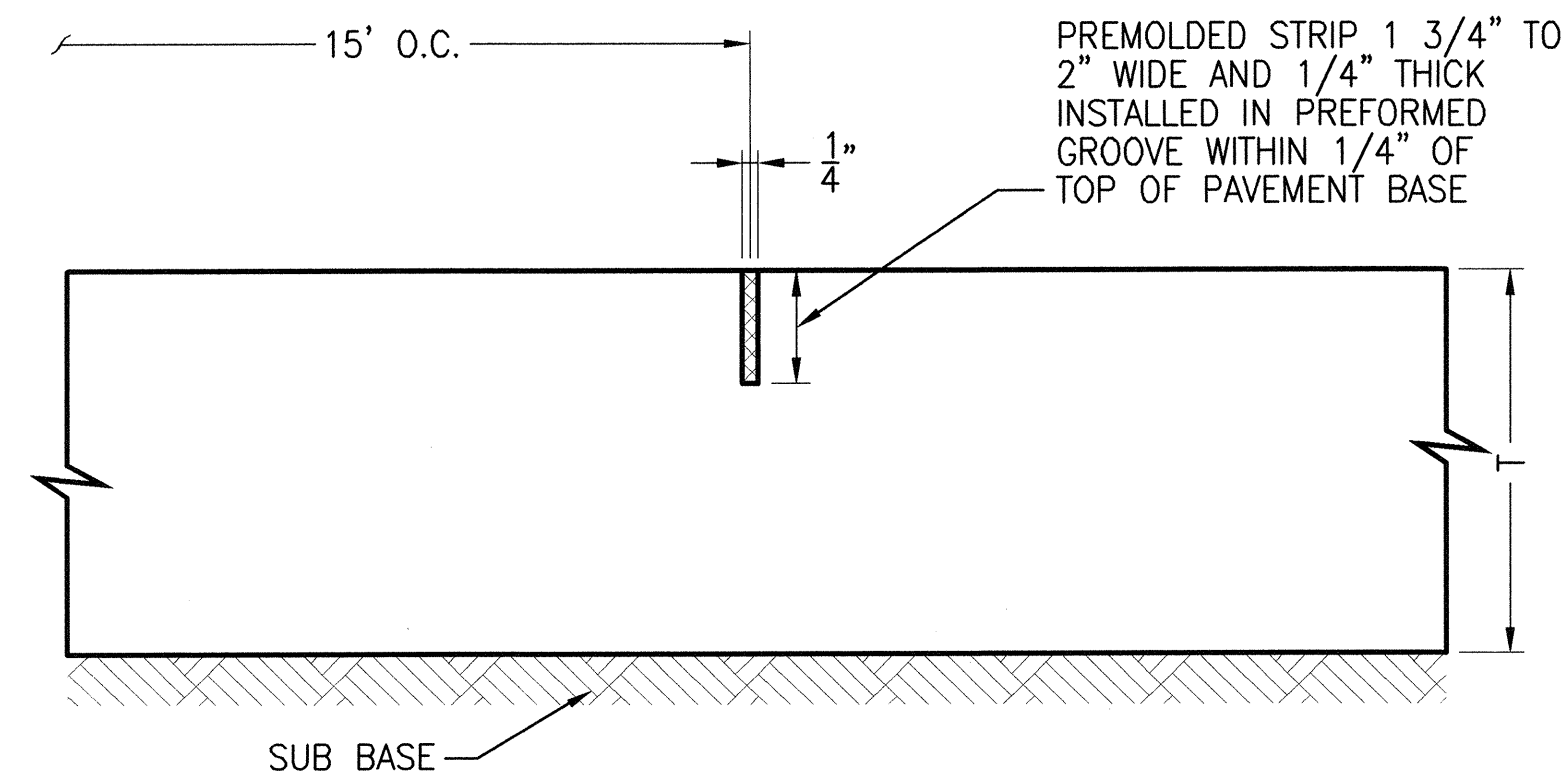
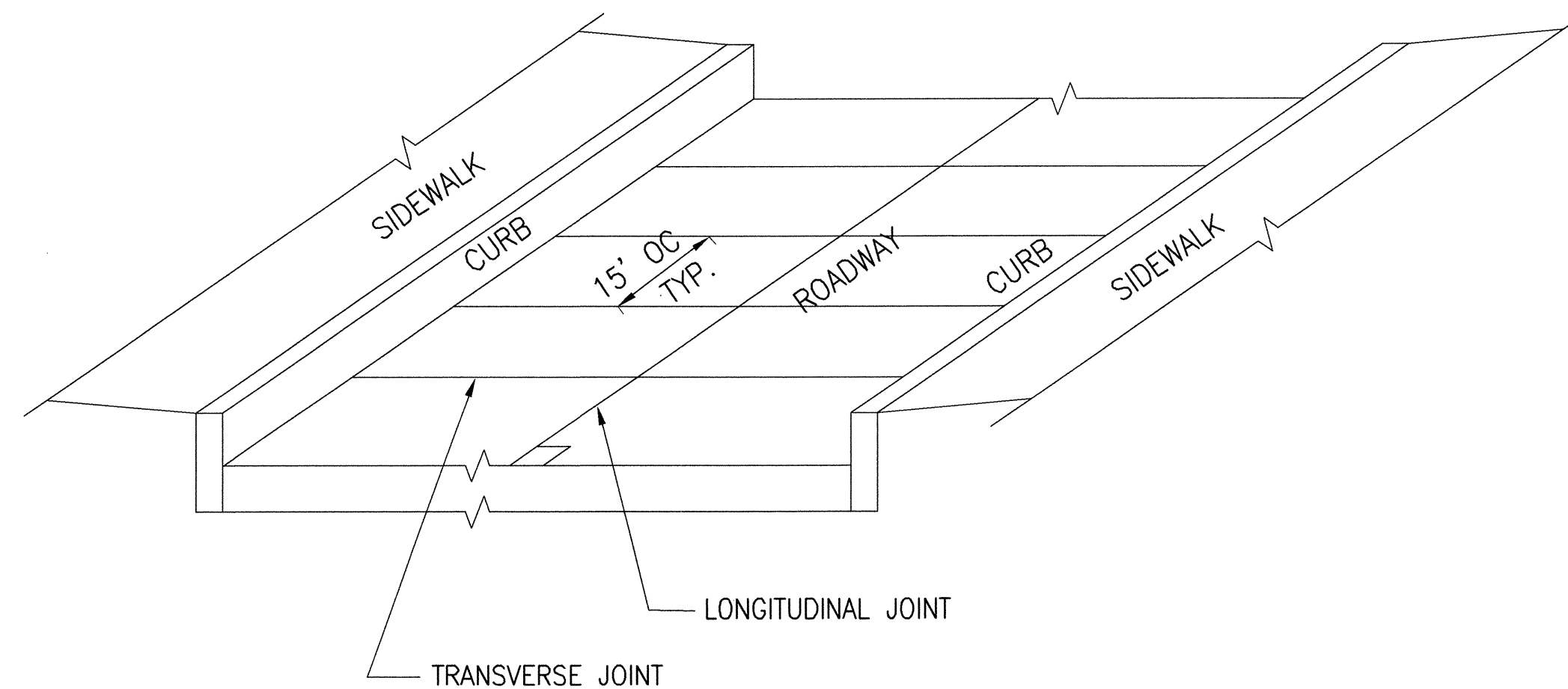


LONGITUDINAL JOINT



TRANSVERSE JOINT



NOTE:

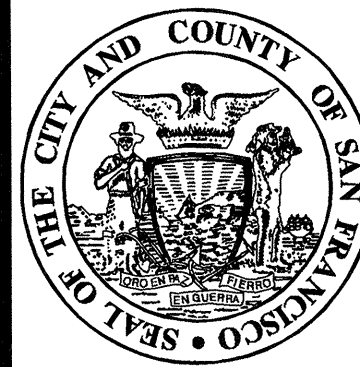
T = CONCRETE PAVEMENT THICKNESS
O.C. = ON CENTER

T	(A)	(B)
8"	2 3/4"	2 1/2"
10"	3 3/4"	2 1/2"
12"	4 3/4"	2 1/2"

This Standard Plan was developed for use on public works projects in the City and County of San Francisco, and shall not be used without consulting a Registered Professional Engineer. The Department of Public Works reserves the right to make revisions to this Standard Plan at any time.

NO.	DATE	DESCRIPTION	BY	APP.
TABLE OF REVISIONS				
CHECK WITH TRACING TO SEE IF YOU HAVE LATEST REVISION				

REFERENCE INFORMATION
& FILE NO. OF SURVEYS



BUREAU OF ENGINEERING
DEPARTMENT OF PUBLIC WORKS
CITY AND COUNTY OF SAN FRANCISCO

REVIEWED:	DATE:	PLANS APPROVAL DATE:	APRIL 30, 2007
PR	10/01/06	<i>Pat D. De...</i>	4/27/07
DRAWN:	DATE:	<i>...</i>	4/30/07
GY	10/01/06	DEPUTY BUREAU MANAGER	
CHECKED:	DATE:	<i>Jan...</i>	
EK	11/01/06	BUREAU MANAGER	

STANDARD PLAN
STREETS AND HIGHWAYS
STANDARD JOINTS FOR
CONCRETE PAVEMENT BASE

OLD FILE NO.	L-26,075 CH 1
FILE NO.	87,174
REV. NO.	