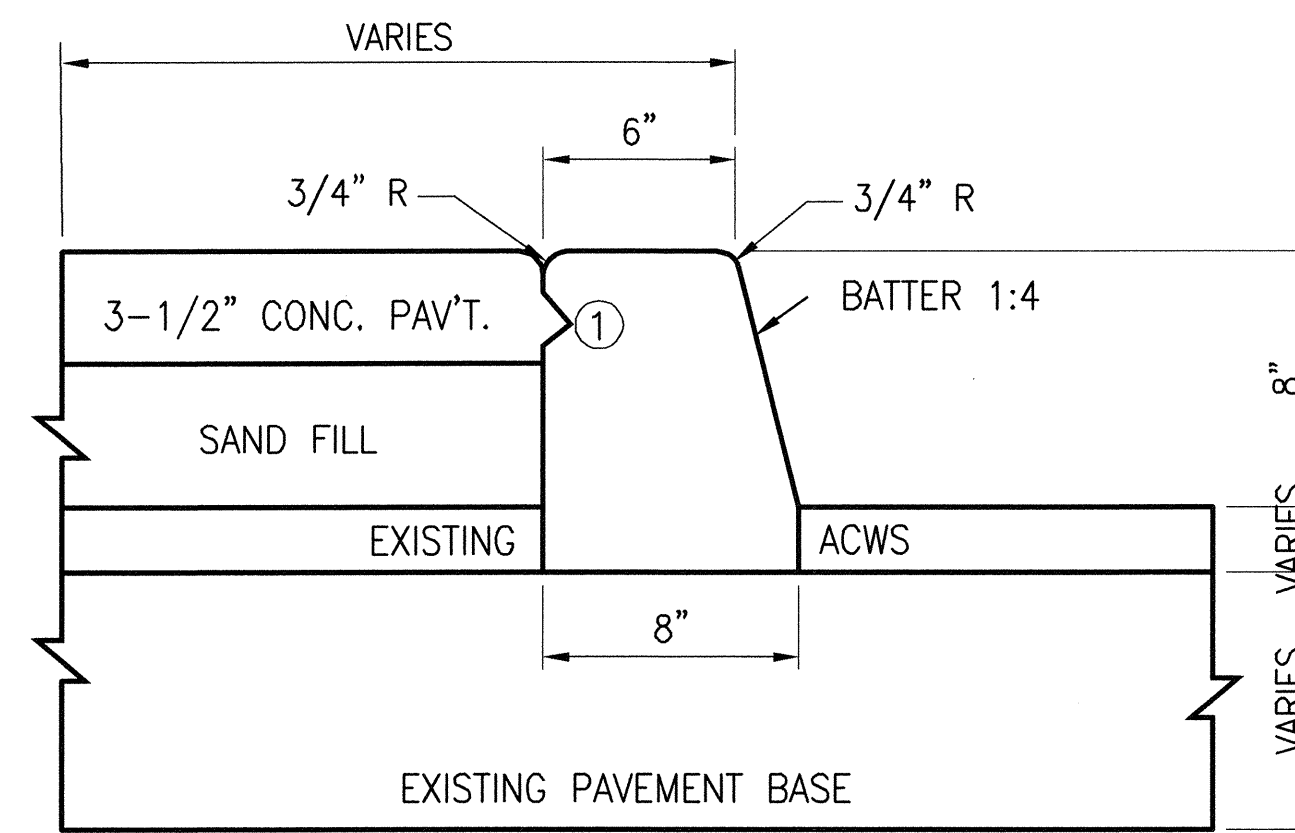
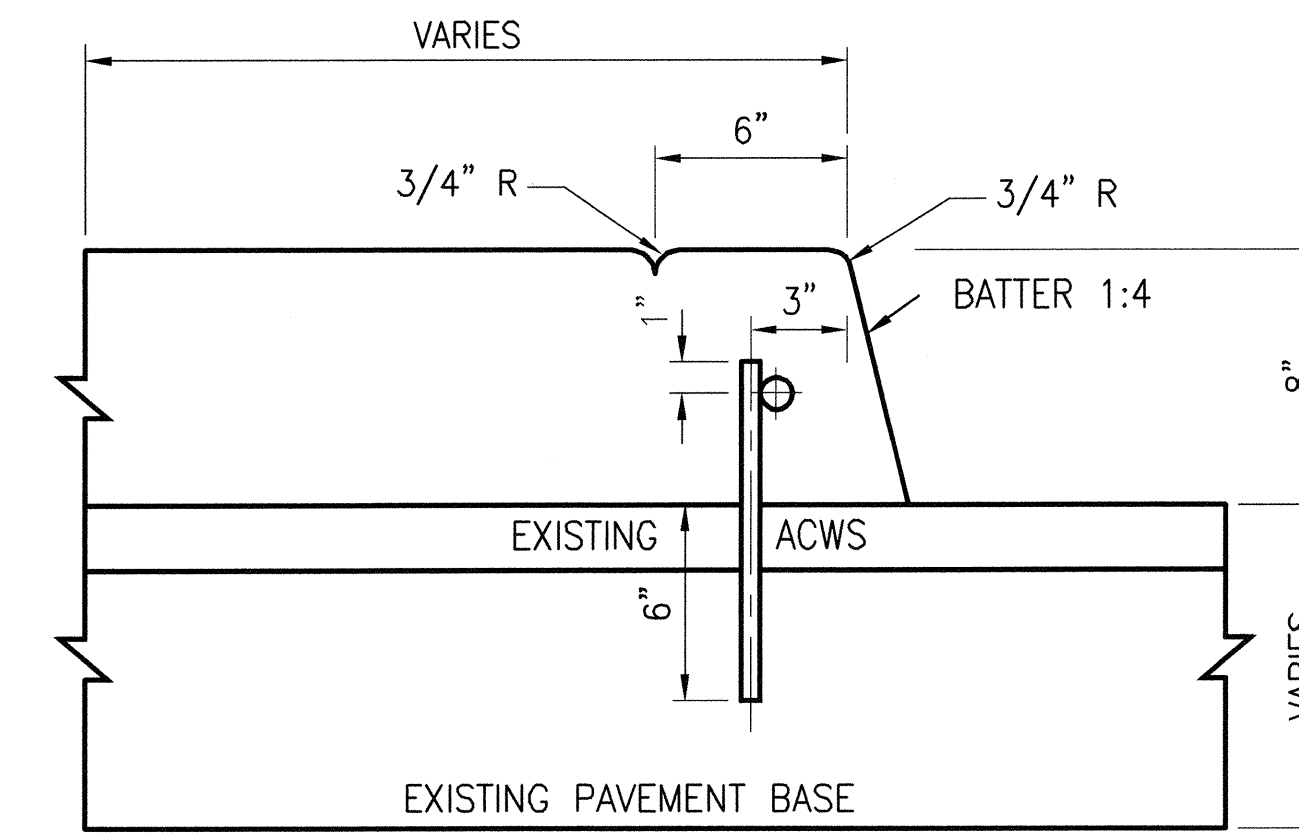


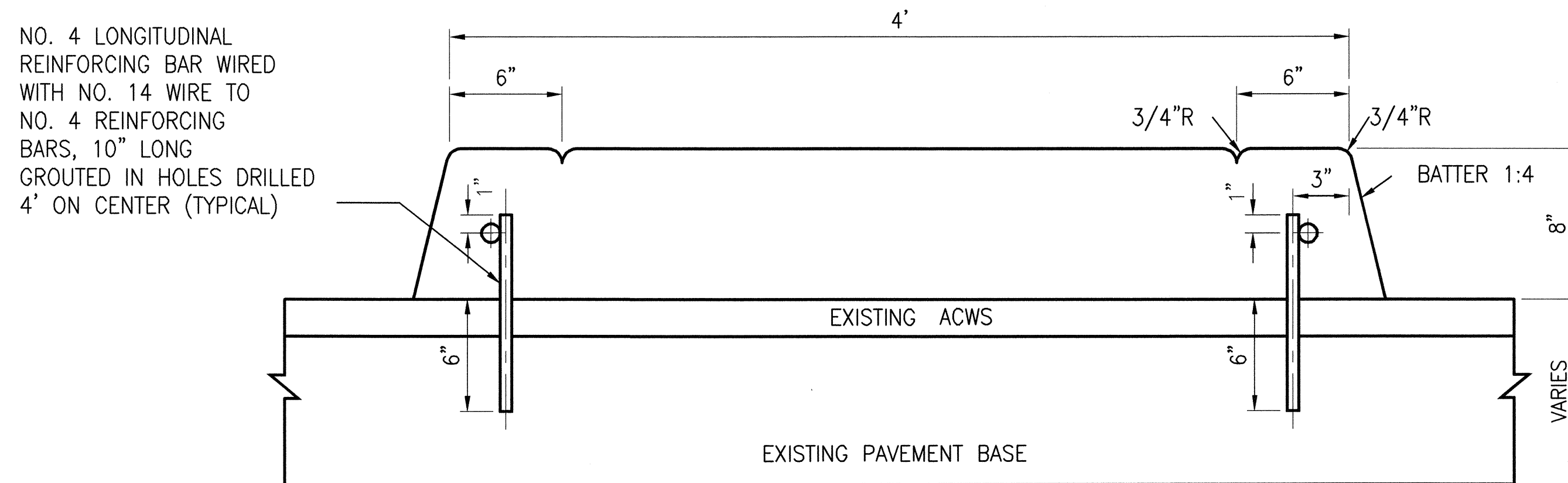
**CONCRETE TRAFFIC ISLAND
SPECIAL DOWELED 8-INCH HIGH CONCRETE CURB**



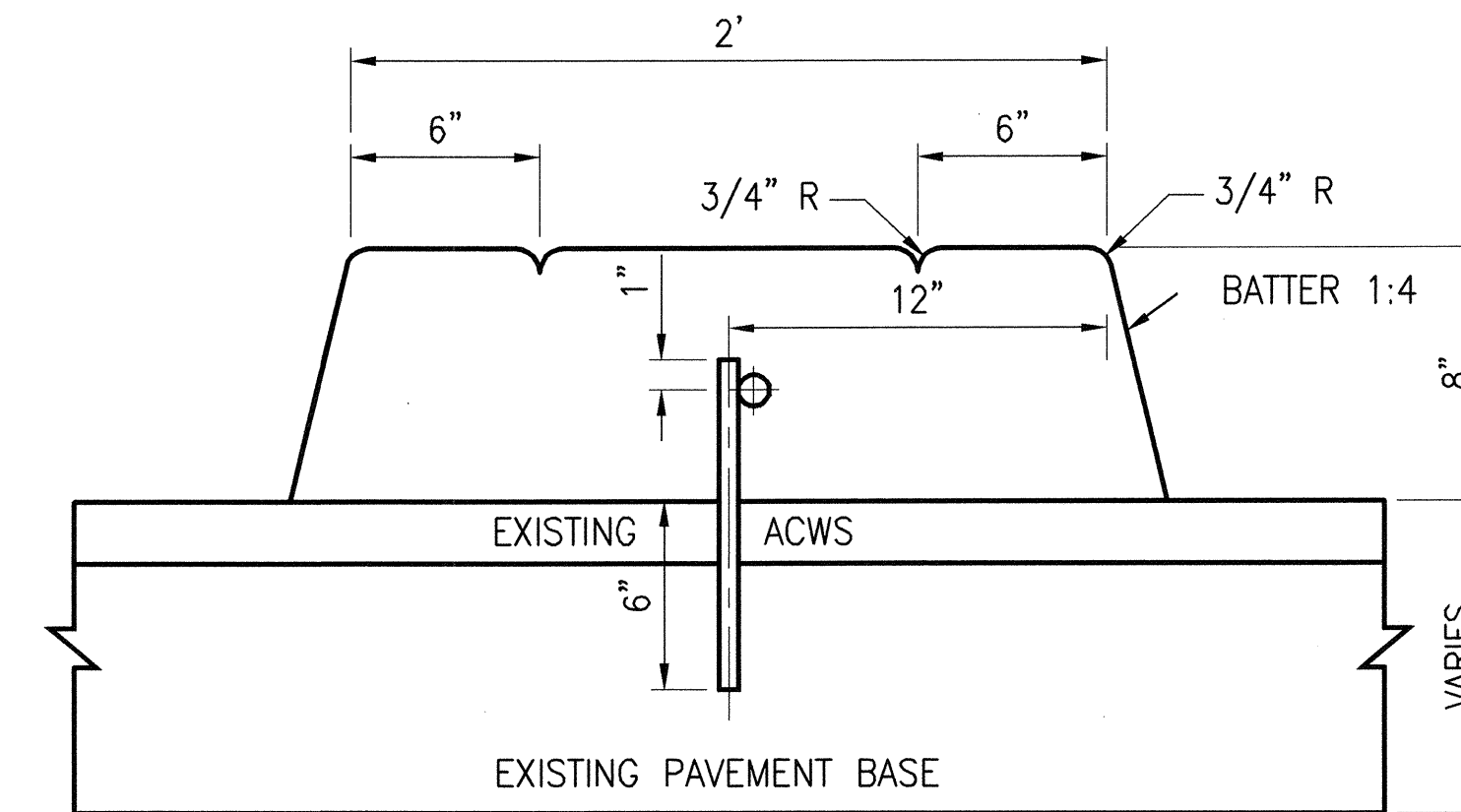
**CONCRETE TRAFFIC ISLAND
SPECIAL 8-INCH HIGH CONCRETE CURB**



**MONOLITHIC CONCRETE
TRAFFIC ISLAND**



**4-FOOT WIDE MONOLITHIC CONCRETE
CENTER ISLAND**



**2-FOOT WIDE MONOLITHIC CONCRETE
TRAFFIC ISLAND**

NOTE AND LEGEND

① LONGITUDINAL JOINTS FOR CONCRETE CURB REFER TO STANDARD PLAN NO. 87,173.

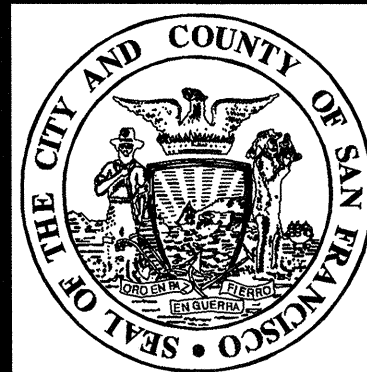
ACWS = ASPHALT CONCRETE WEARING SURFACE

EXIST. = EXISTING

This Standard Plan was developed for use on public works projects in the City and County of San Francisco, and shall not be used without consulting a Registered Professional Engineer. The Department of Public Works reserves the right to make revisions to this Standard Plan at any time.

NO.	DATE	DESCRIPTION	BY	APP.
TABLE OF REVISIONS				
CHECK WITH TRACING TO SEE IF YOU HAVE LATEST REVISION				

REFERENCE INFORMATION & FILE NO. OF SURVEYS



BUREAU OF ENGINEERING
DEPARTMENT OF PUBLIC WORKS
CITY AND COUNTY OF SAN FRANCISCO

REVIEWED: DATE: 10/01/06
PR
DRAWN: DATE: 10/01/06
GY
CHECKED: DATE: 11/01/06
EK

PLANS APPROVAL DATE: APRIL 30, 2007
Pat D. ... 4/27/07
SECTION MANAGER
M. ... 4/30/07
DEPUTY BUREAU MANAGER
Jan ...
BUREAU MANAGER

STANDARD PLAN	OLD FILE NO.
STREETS AND HIGHWAYS	LL-24,457
STANDARD TRAFFIC AND CENTER ISLANDS	FILE NO. 87,172
	REV. NO.

Xrefs: V:\0966J Standard Plans & Specs Update\2_Plans\Title_Block\BOE STD Title Block.dwg
Dimension Scale: 1
Model Units: Meters
Drawing Path: V:\0966J Standard Plans & Specs Update\2_Plans\FINAL\SH\PS.dwg, Login: carantos
Plot Time: Fri, 27 Apr 2007 - 10:30am