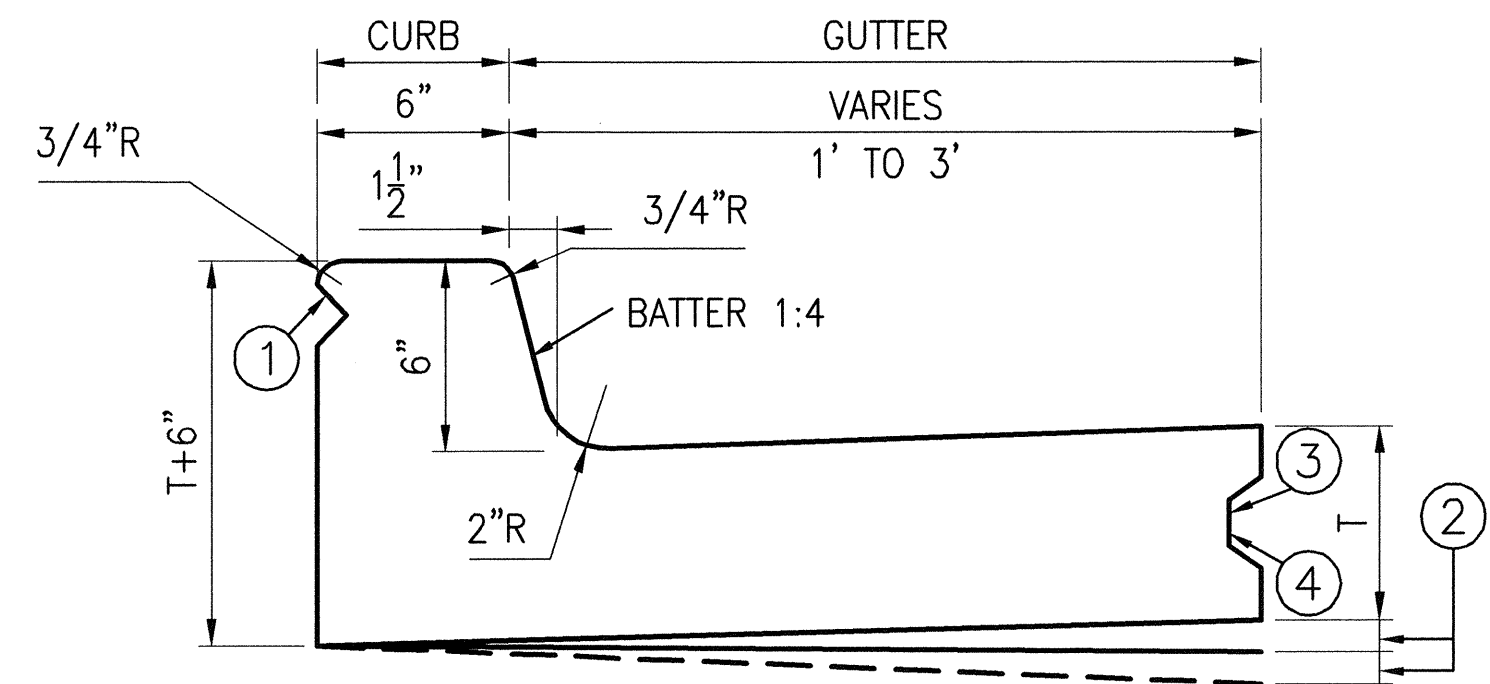
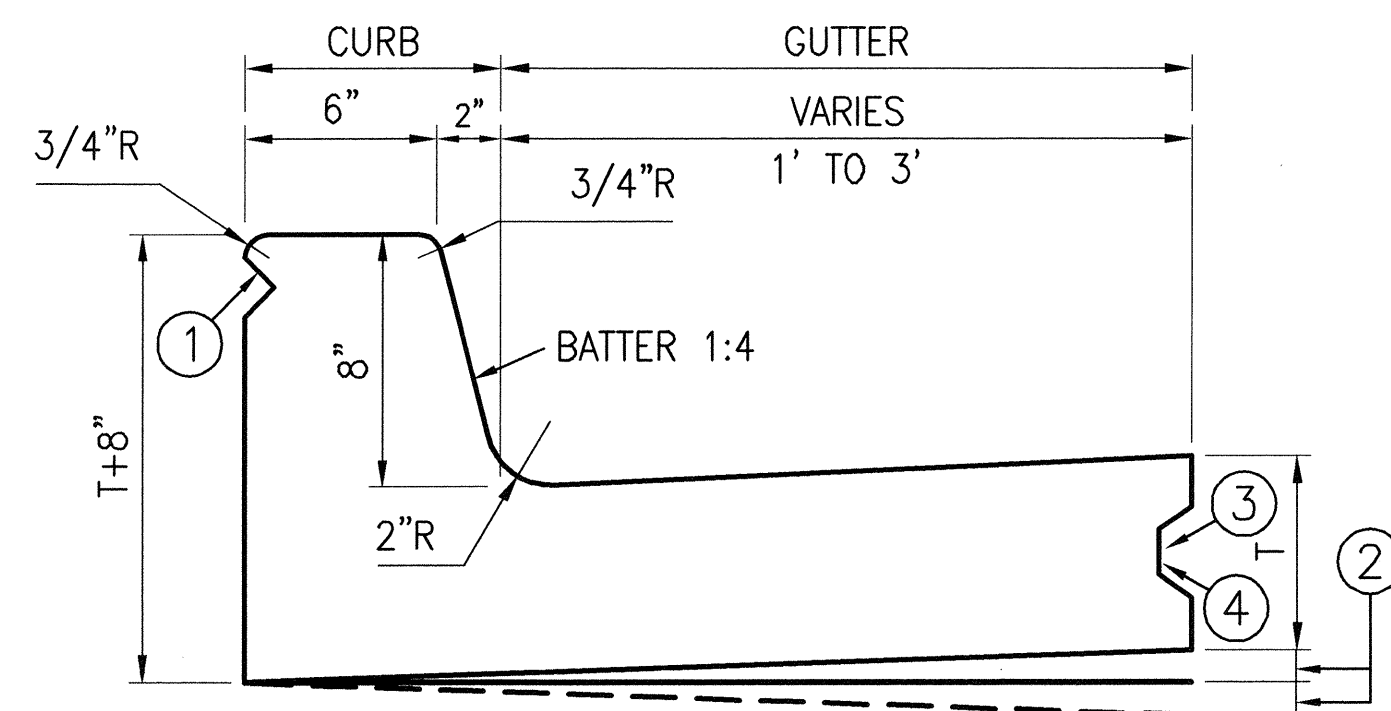


**COMBINED 6-INCH CONCRETE CURB  
AND PARKING STRIP**



**COMBINED 6-INCH CONCRETE  
CURB AND GUTTER**



**COMBINED 8-INCH CONCRETE  
CURB AND GUTTER**

**NOTES:**

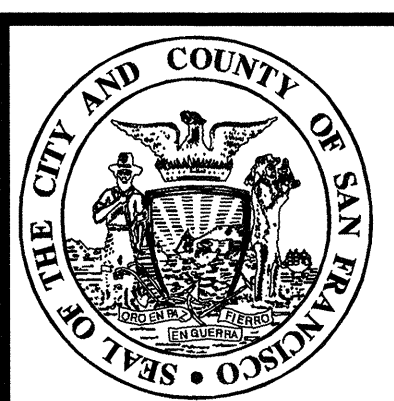
- ① LONGITUDINAL JOINTS FOR CONCRETE CURB SHALL BE AS SHOWN ON PLAN C-2.08
- ② SET TO FIT CROWN OR SUPERELEVATION OF ADJACENT ROADWAY
- ③ LONGITUDINAL JOINT NOT REQUIRED FOR AGGREGATE BASE OR ASPHALT CONCRETE BASE
- ④ LONGITUDINAL JOINTS FOR CONCRETE PARKING STRIP OR GUTTER SHALL BE AS SHOWN ON PLAN L-26,075 Ch.1

T = 8" MINIMUM THICKNESS  
R = RADIUS

This Standard Plan was developed for use on public works projects in the City and County of San Francisco, and shall not be used without consulting a Registered Professional Engineer. The Department of Public Works reserves the right to make revisions to this Standard Plan at any time.

NO.	DATE	DESCRIPTION	BY	APP.
TABLE OF REVISIONS				
CHECK WITH TRACING TO SEE IF YOU HAVE LATEST REVISION				

REFERENCE INFORMATION & FILE NO. OF SURVEYS



**BUREAU OF ENGINEERING**  
**DEPARTMENT OF PUBLIC WORKS**  
**CITY AND COUNTY OF SAN FRANCISCO**

REVIEWED:	DATE:
PR	10/01/06
DRAWN:	DATE:
GY	10/01/06
CHECKED:	DATE:
EK	11/01/06

PLANS APPROVAL DATE:	APRIL 30, 2007
<i>Paul D. Pan</i>	4/27/07
SECTION MANAGER	
<i>M. M.</i>	4/30/07
DEPUTY BUREAU MANAGER	
<i>Janet Chiu</i>	
BUREAU MANAGER	

<b>STANDARD PLAN</b>
<b>STREETS AND HIGHWAYS</b>
<b>STANDARD COMBINED CURB AND PARKING STRIP OR GUTTER</b>

OLD FILE NO.	L-24,456 CH. 3
FILE NO.	87,170
REV. NO.	

Xrefs: V:\0966J\_Standard Plans & Specs Update\2\_Plans\Title\_Blocks\190f STD Title Block.dwg  
 Dimension Scale: 500  
 Model Units: Meters  
 Drawing Path: V:\0966J\_Standard Plans & Specs Update\2\_Plans\SH\R3.dwg, Login: carantos  
 Plot Time: Fri, 27 Apr 2007 - 10:28am