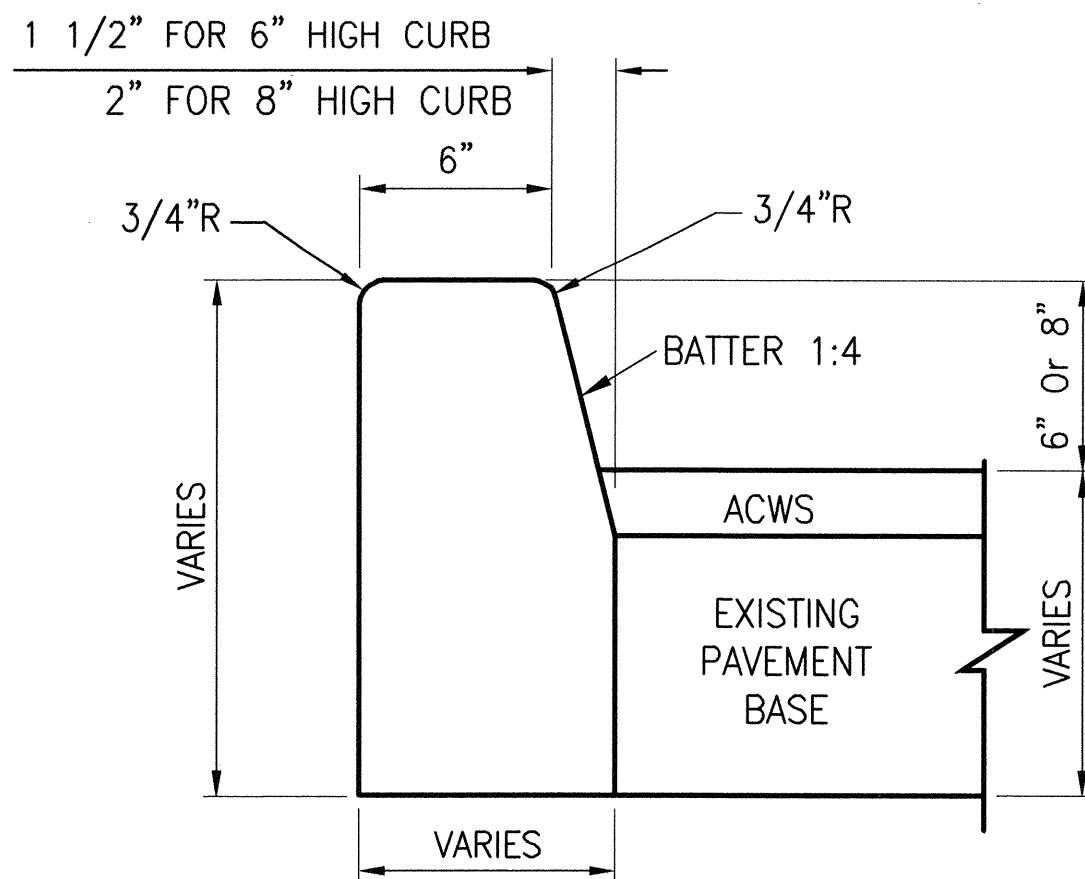
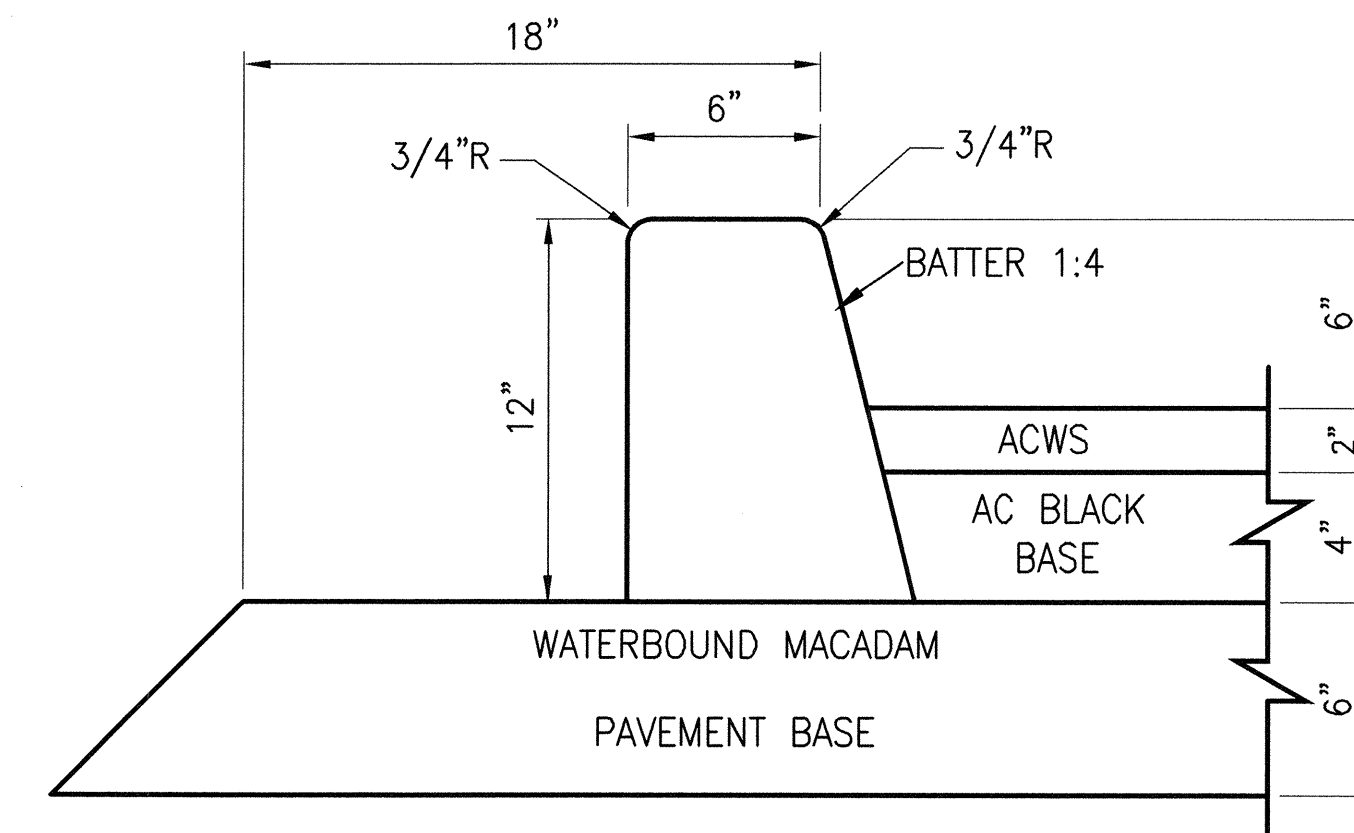


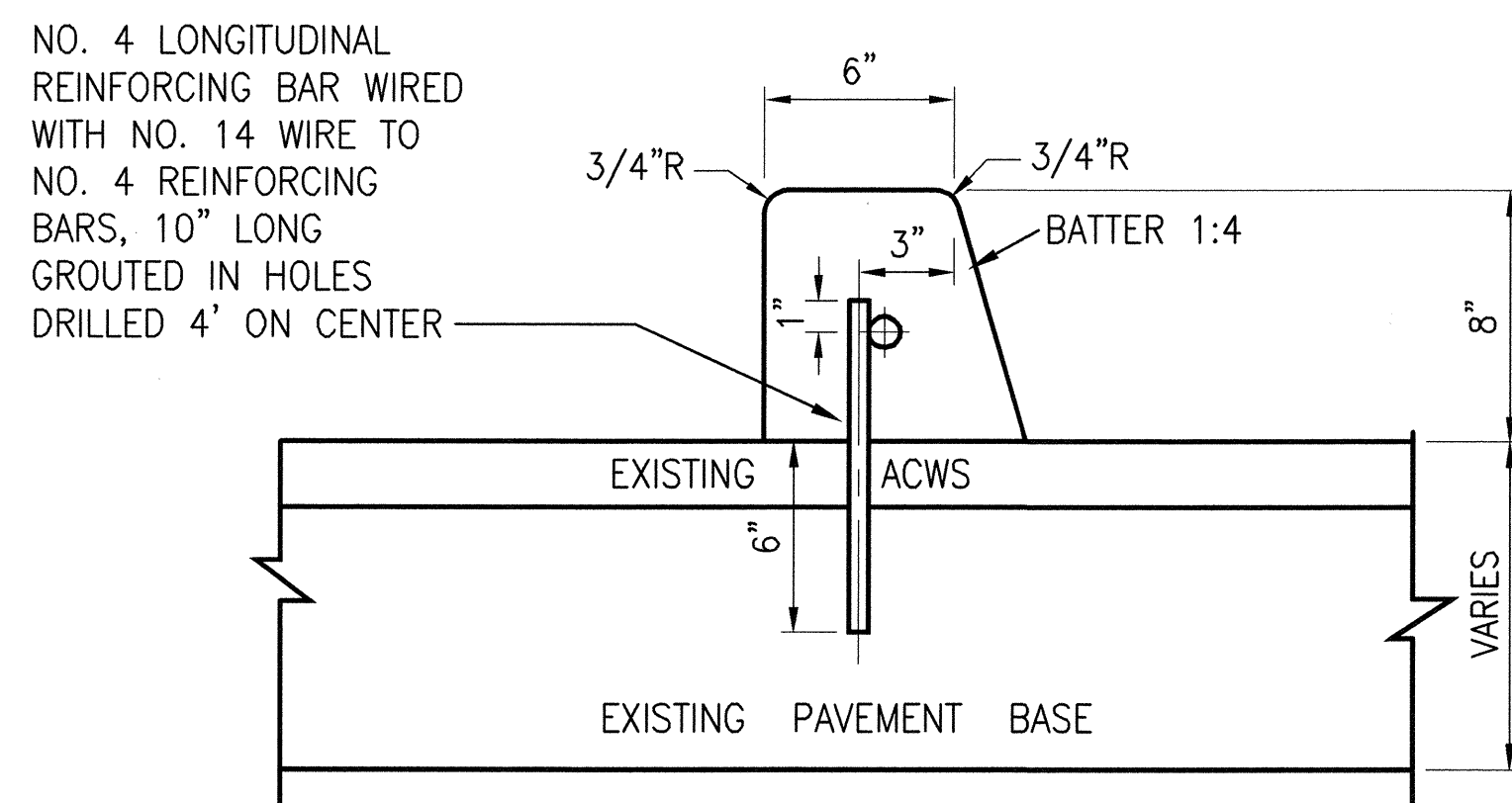
**6-INCH OR 8-INCH HIGH CONCRETE CURB
(STANDARD SECTION)**



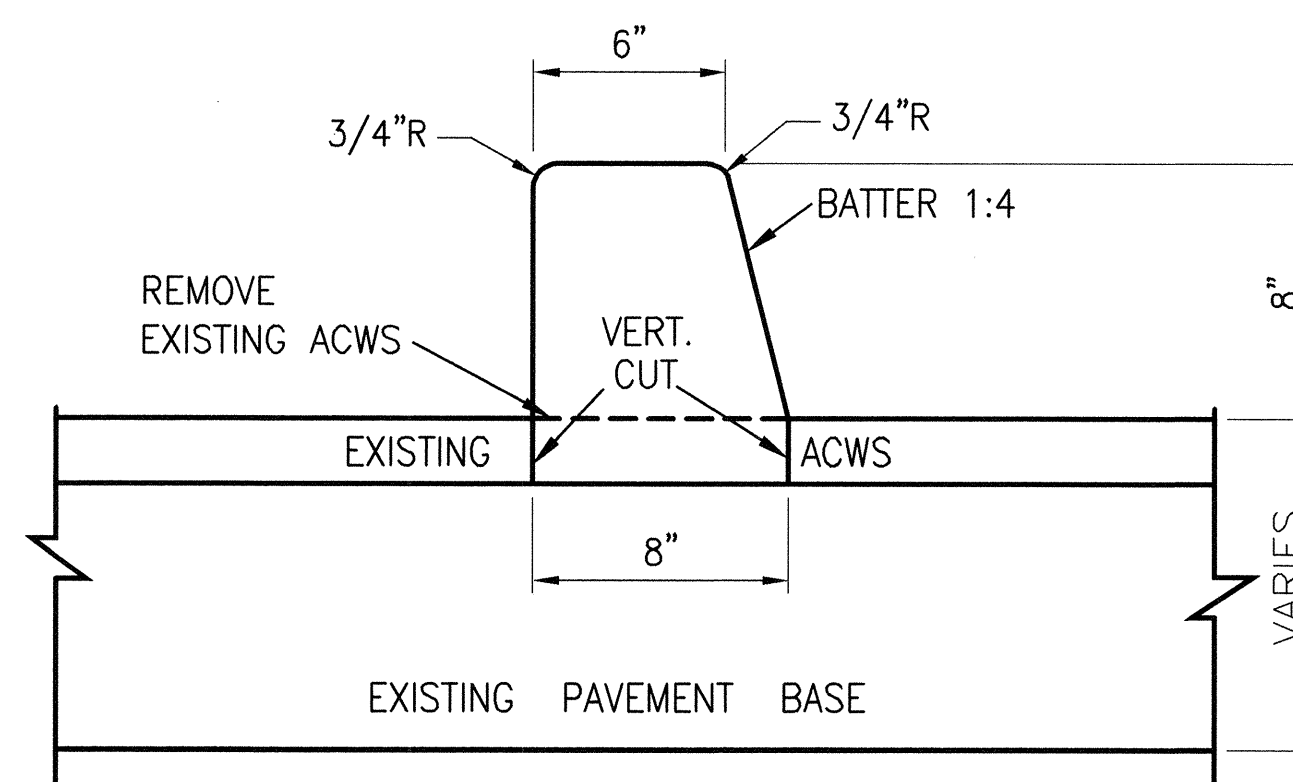
**6-INCH OR 8-INCH HIGH CONCRETE CURB
(OPTIONAL SECTION)**



**6-INCH WIDE CONCRETE CURB
ADJACENT TO BLACK BASE ON
MACADAM SUBGRADE**



**SPECIAL DOWELED
8-INCH HIGH CONCRETE CURB
ON EXISTING PAVEMENT SURFACE**



**SPECIAL 8-INCH HIGH CONCRETE CURB
ON EXISTING PAVEMENT BASE**

NOTES AND LEGEND

- ① LONGITUDINAL JOINTS FOR CONCRETE CURB SHALL BE AS SHOWN ON STANDARD PLAN NO. 87,173

ACWS = ASPHALT CONCRETE WEARING SURFACE

This Standard Plan was developed for use on public works projects in the City and County of San Francisco, and shall not be used without consulting a Registered Professional Engineer. The Department of Public Works reserves the right to make revisions to this Standard Plan at any time.

NO.	DATE	DESCRIPTION	BY	APP.
TABLE OF REVISIONS				
CHECK WITH TRACING TO SEE IF YOU HAVE LATEST REVISION				

REFERENCE INFORMATION
& FILE NO. OF SURVEYS



BUREAU OF ENGINEERING
DEPARTMENT OF PUBLIC WORKS
CITY AND COUNTY OF SAN FRANCISCO

REVIEWED:	DATE:
PR	10/01/06
DRAWN:	DATE:
GY	10/01/06
CHECKED:	DATE:
EK	11/01/06

PLANS APPROVAL DATE:	APRIL 30, 2007
<i>Patricia...</i>	4/27/07
SECTION MANAGER	
<i>Mike...</i>	4/30/07
DEPUTY BUREAU MANAGER	
<i>James...</i>	
BUREAU MANAGER	

STANDARD PLAN	OLD FILE NO.
STREETS AND HIGHWAYS	LL-24,455 CH 1
STANDARD CURBS	FILE NO.
	87,169
	REV. NO.

Xrefs: V:\0966J Standard Plans & Specs Update\2_Plans\Title_Block\BCE STD Title Block.dwg
 Dimension Scale: 500
 Model Units: Metric
 Drawing Path: V:\0966J Standard Plans & Specs Update\2_Plans\Title_Block\BCE STD Title Block.dwg
 Plot Time: Fri, 27 Apr 2007 - 10:27:0m