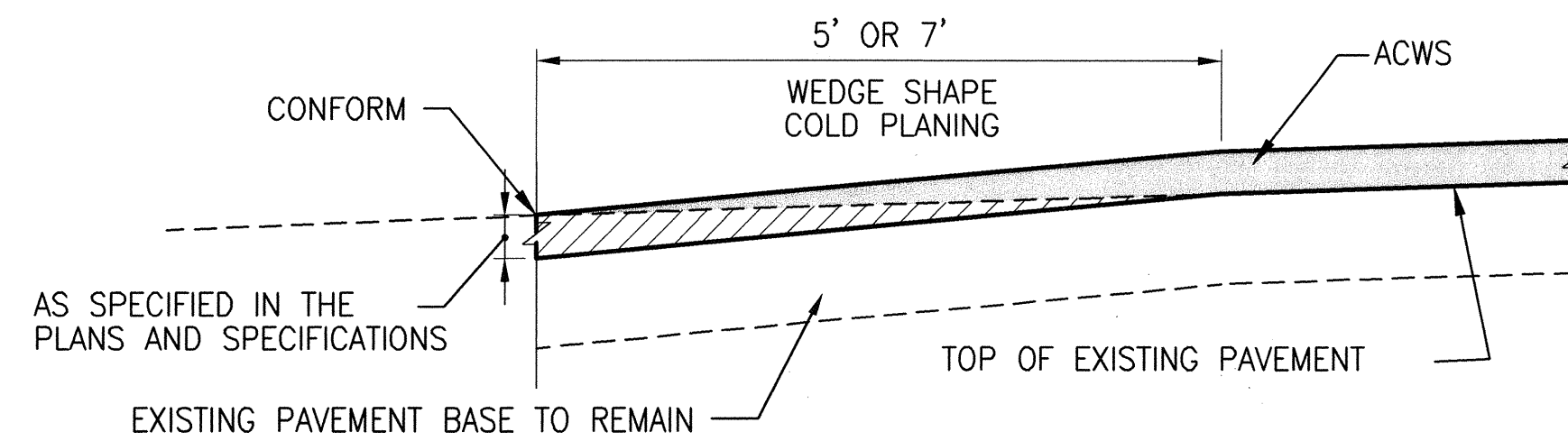
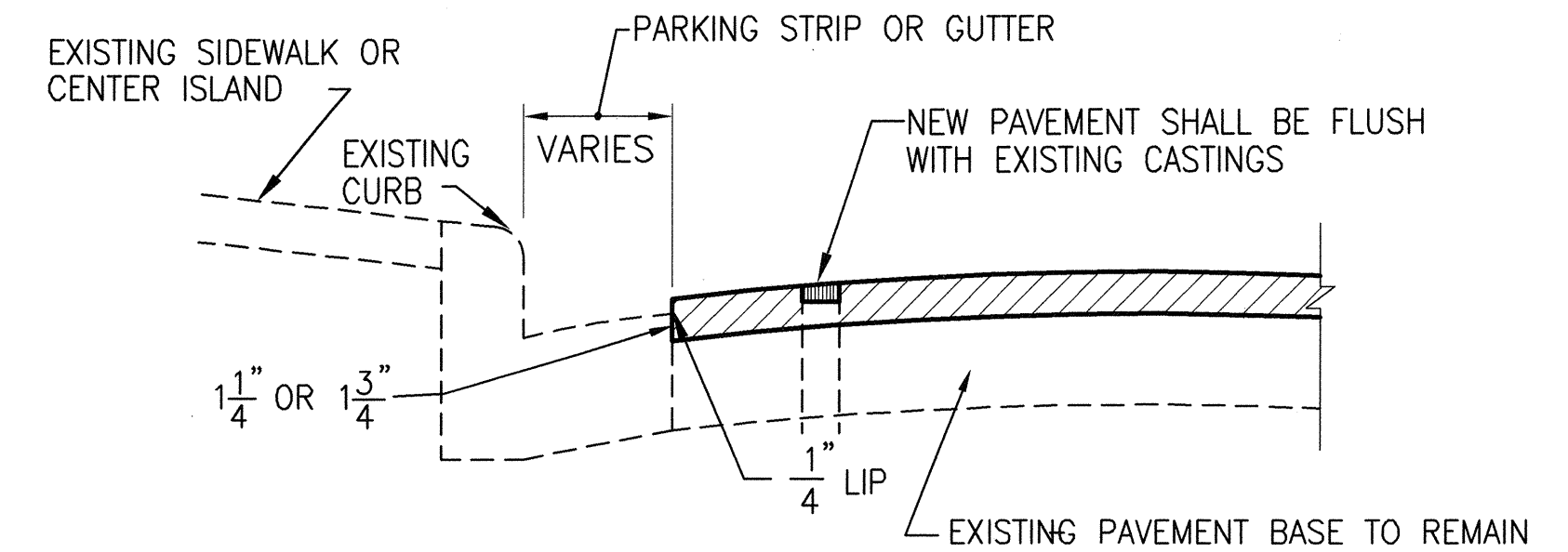


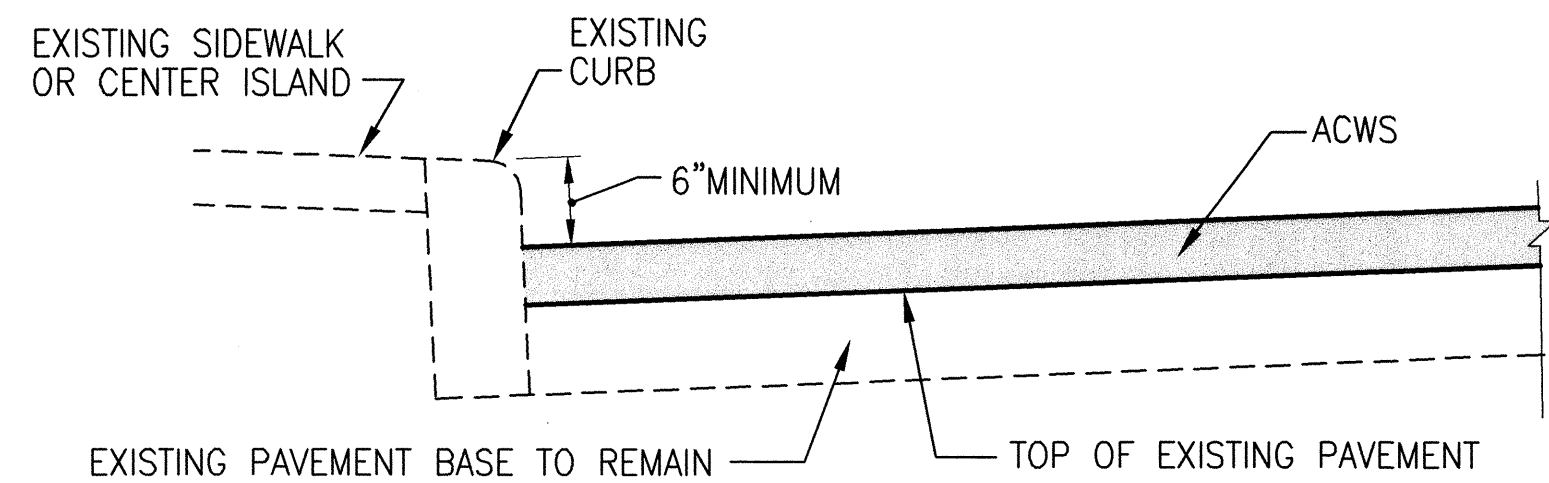
TYPICAL PAVEMENT REPAIR SECTION



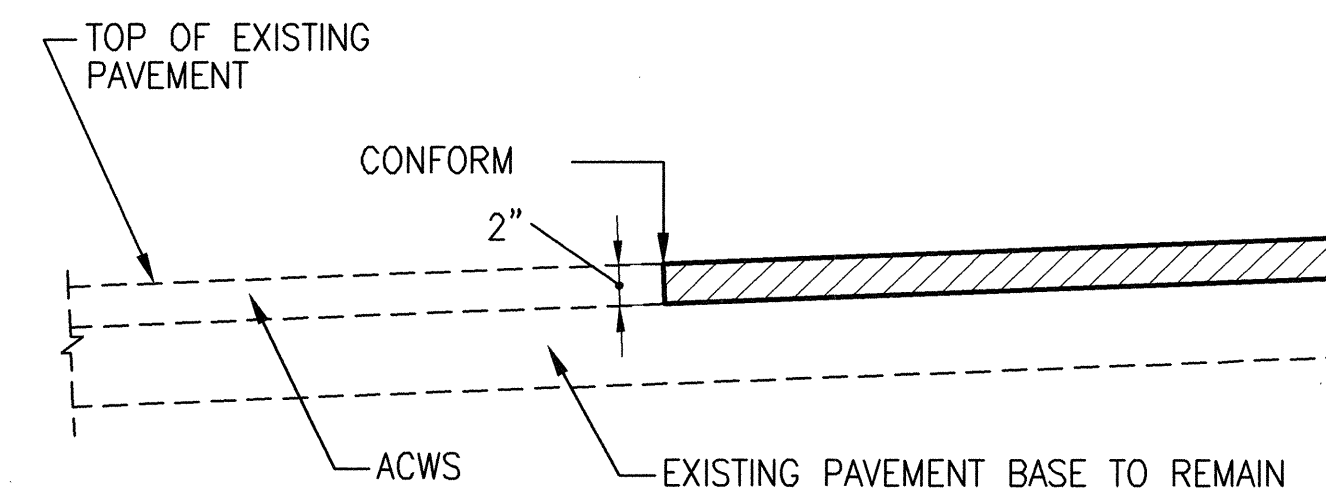
WEDGE SHAPE COLD PLANING CONFORM



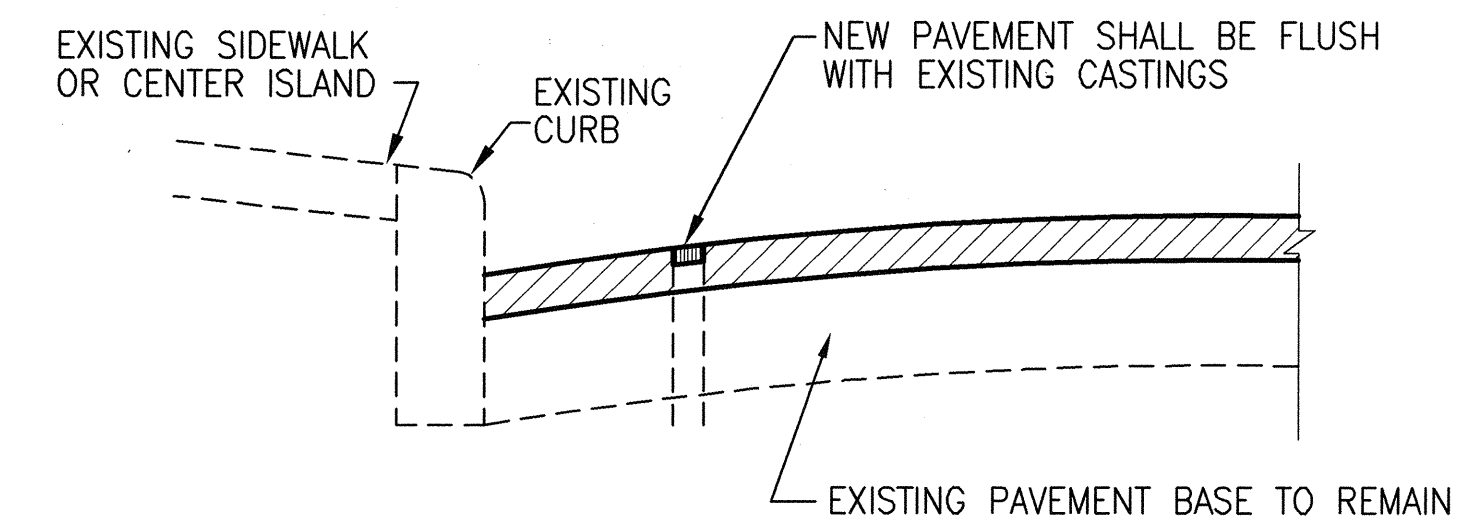
FULL DEPTH PLANING & RESURFACING ADJACENT TO GUTTER OR PARKING STRIP



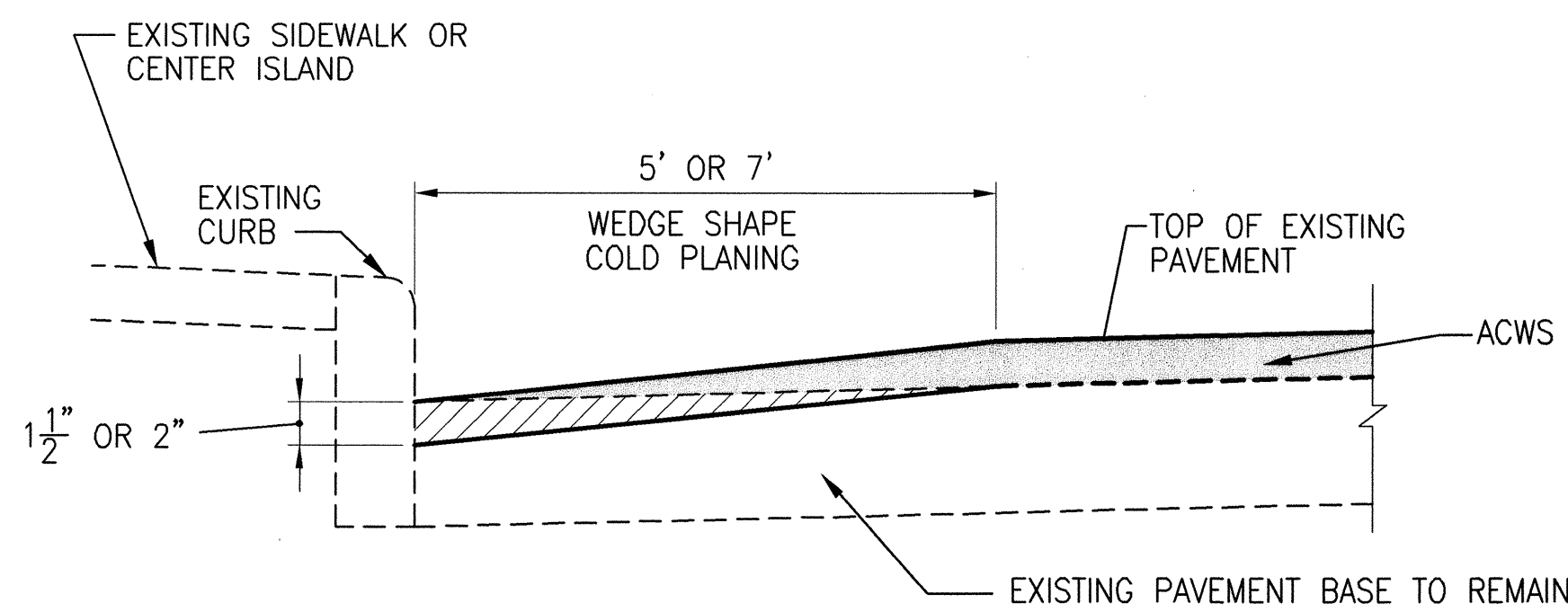
RESURFACING ADJACENT TO CURB



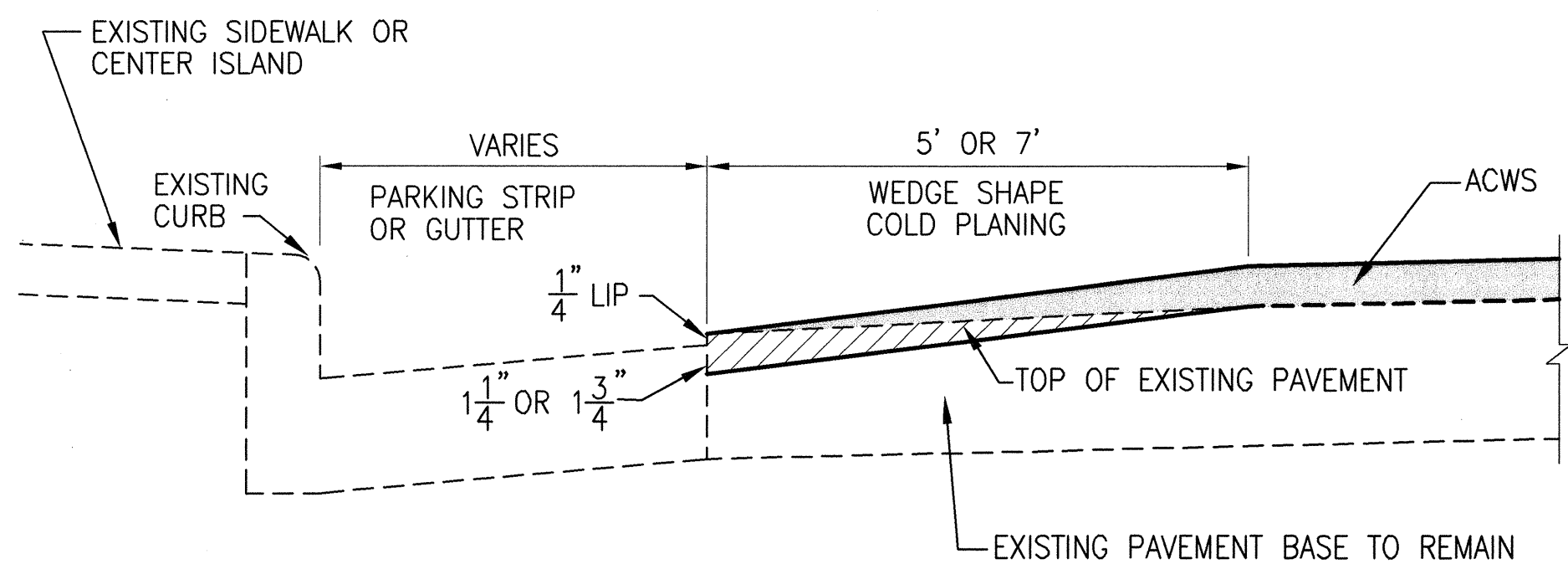
FULL DEPTH PLANING CONFORM



FULL DEPTH PLANING & RESURFACING ADJACENT TO CURB



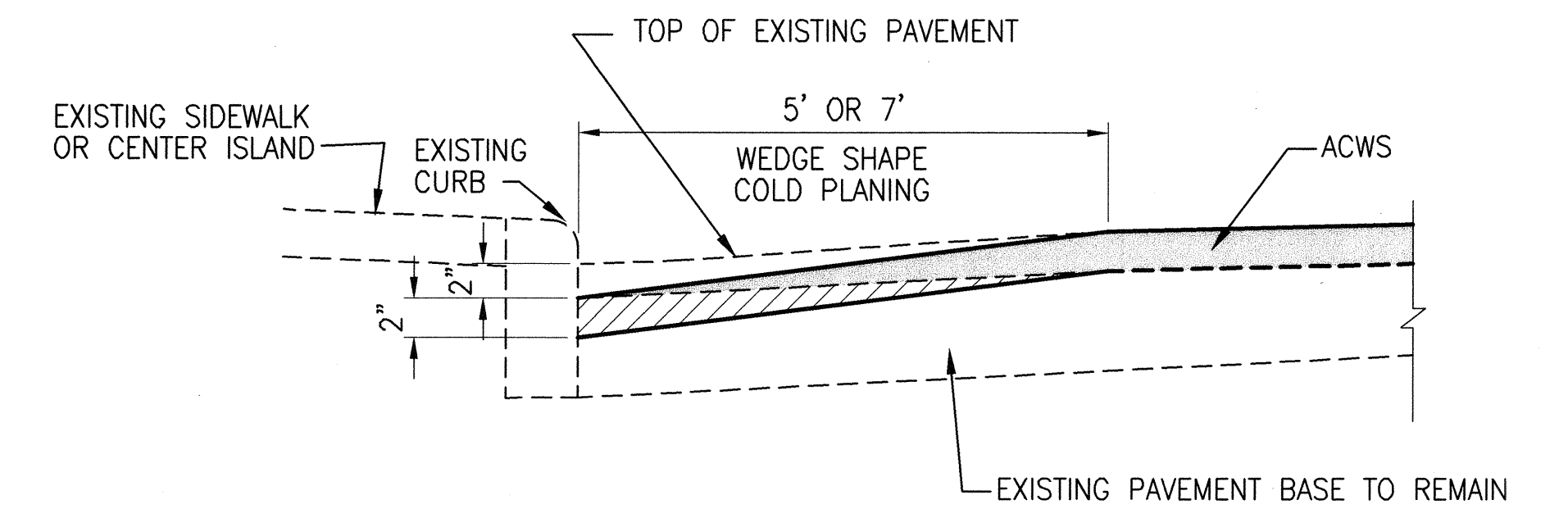
PLANING AND RESURFACING ADJACENT TO CURB



PLANING AND RESURFACING ADJACENT TO CONCRETE PARKING STRIP OR GUTTER

LEGEND

- NEW ASPHALT CONCRETE WEARING SURFACE (ACWS)
- AREA TO BE COLD PLANED AND RESURFACED
- EXISTING PAVEMENT OR FACILITY

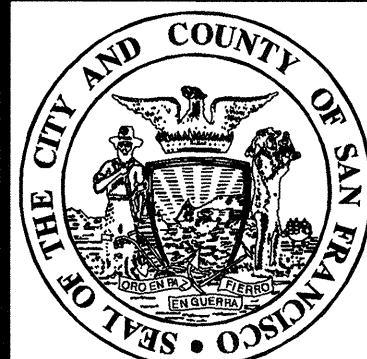


PLANING AND RESURFACING TO INCREASE CURB HEIGHT

This Standard Plan was developed for use on public works projects in the City and County of San Francisco, and shall not be used without consulting a Registered Professional Engineer. The Department of Public Works reserves the right to make revisions to this Standard Plan at any time.

NO.	DATE	DESCRIPTION	BY	APP.
TABLE OF REVISIONS				
CHECK WITH TRACING TO SEE IF YOU HAVE LATEST REVISION				

REFERENCE INFORMATION & FILE NO. OF SURVEYS



BUREAU OF ENGINEERING
 DEPARTMENT OF PUBLIC WORKS
 CITY AND COUNTY OF SAN FRANCISCO

REVIEWED: DATE: PR 10/01/06	PLANS APPROVAL DATE: APRIL 30, 2007
DRAWN: DATE: GY 10/01/06	<i>Paul L. Davis</i> 4/27/07 SECTION MANAGER
CHECKED: DATE: EK 11/01/06	<i>[Signature]</i> 4/30/07 DEPUTY BUREAU MANAGER
	<i>Janet [Signature]</i> BUREAU MANAGER

STANDARD PLAN	OLD FILE NO. 49,096
STREETS AND HIGHWAYS	FILE NO. 87,168
STANDARD COLD PLANING AND RESURFACING CROSS SECTIONS	REV. NO.